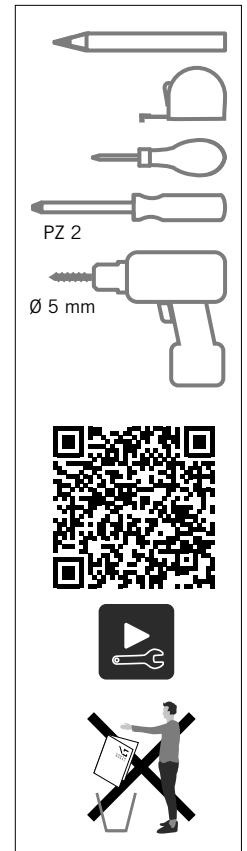
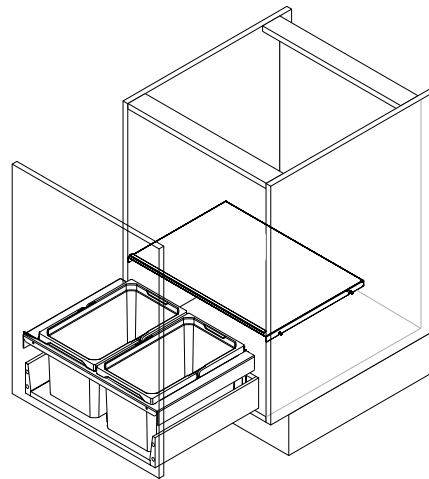


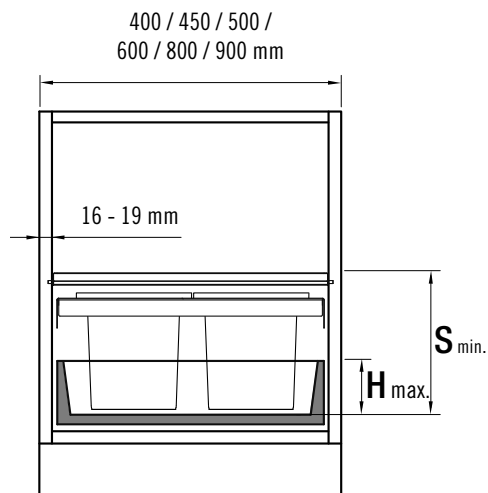
VS ENVI® Flex

VS WASH® Flex

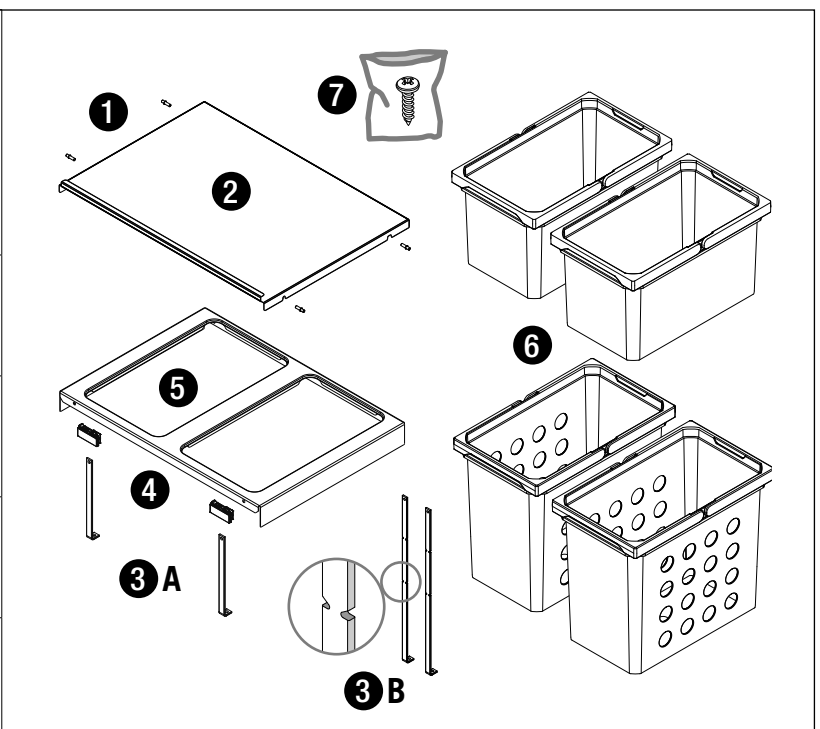
MONTAGEANLEITUNG /
ASSEMBLY MANUAL



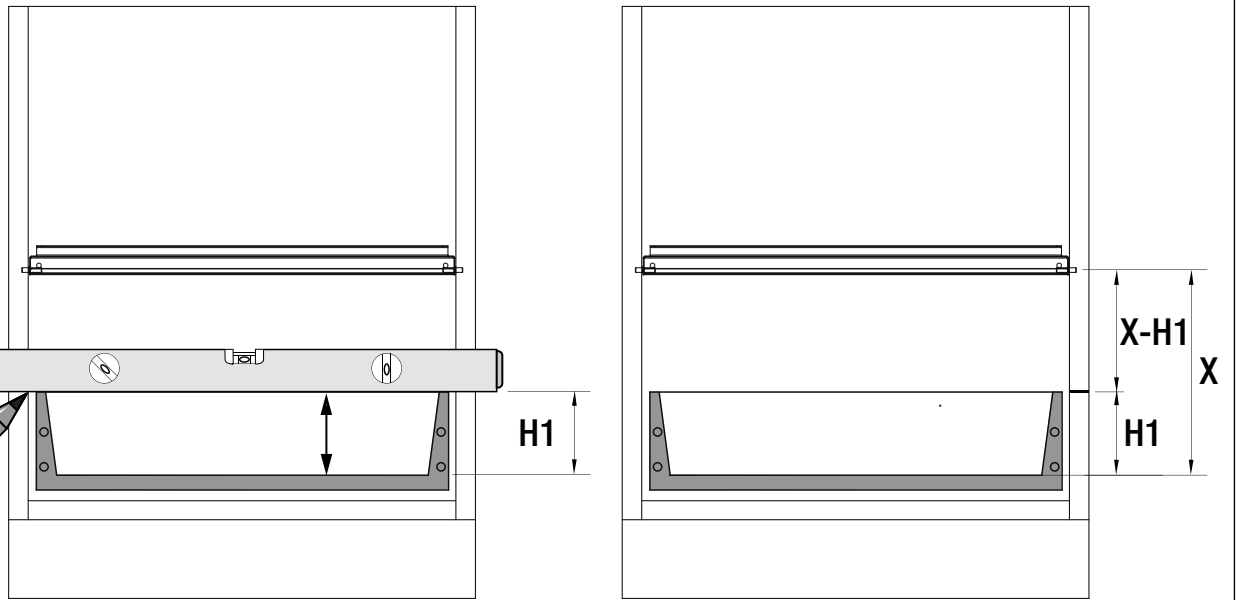
	ENVI®	WASH®	S _{min.}	H _{max.}
216 mm			250 mm	144 mm
256 mm			282 mm	177 mm
326 mm			352 mm	247 mm
426 mm			452 mm	347 mm







	Inhalt / Content: Teile / Parts	Montage / Installation:
	1 2 3 4 5 6 7	1 - 5
	1 2 3 4 5 7	1 - 5
	3 4 5 6 7	3 - 5
	3 4 5 7	3 - 5

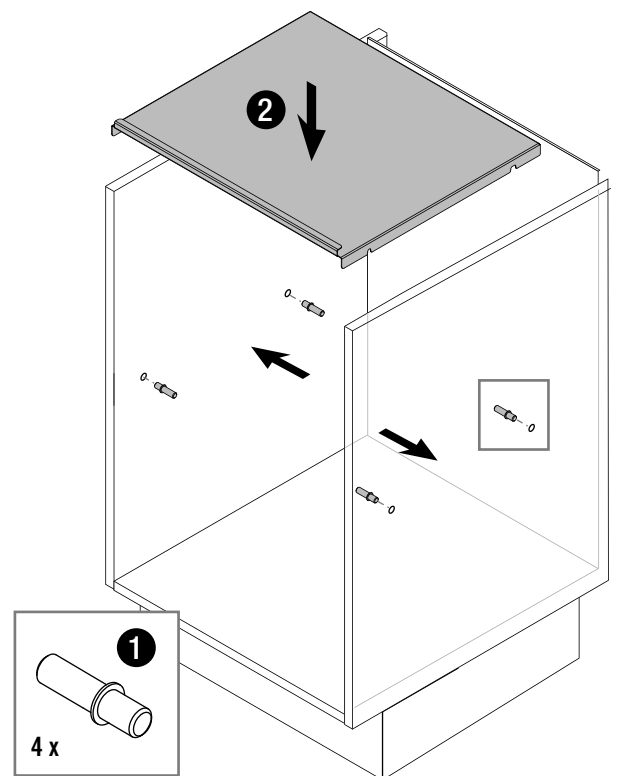
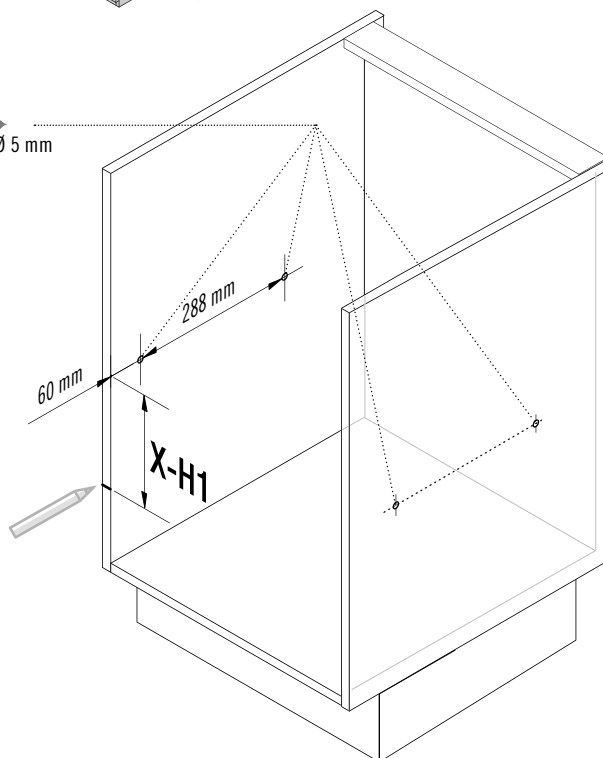
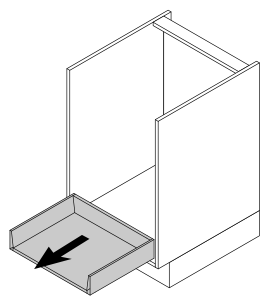


1

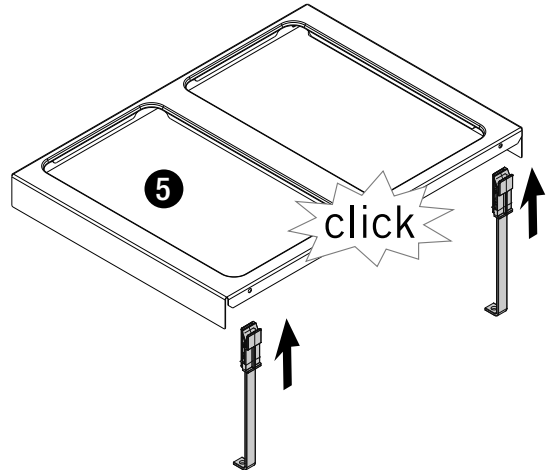
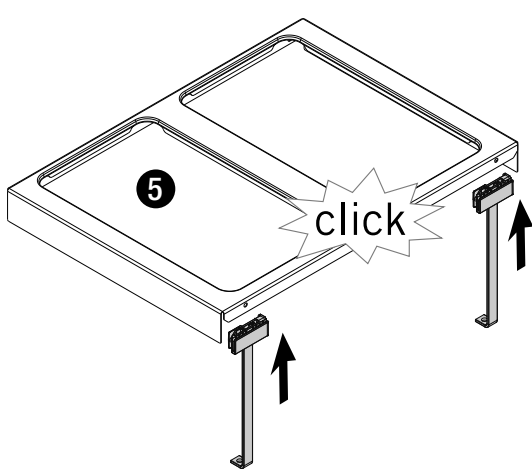
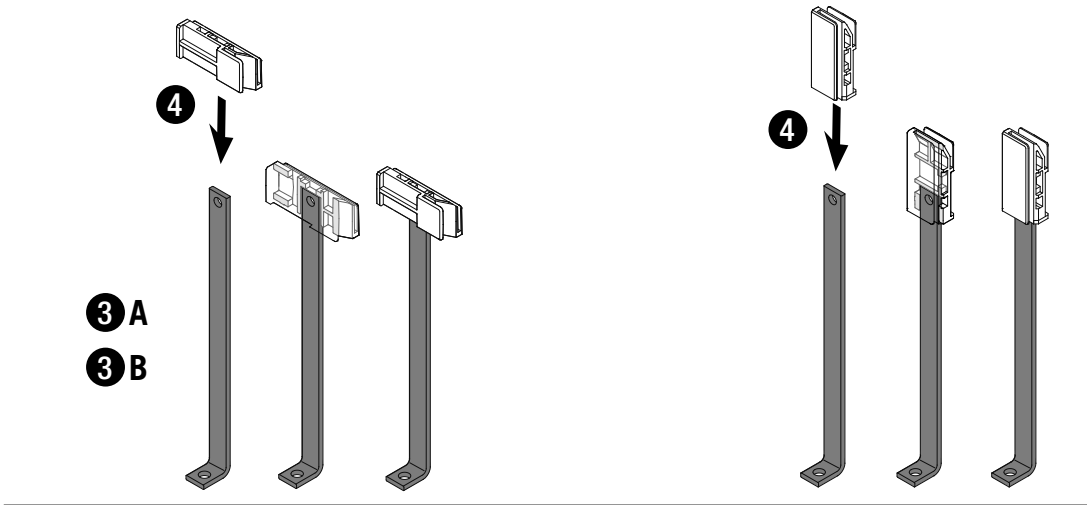
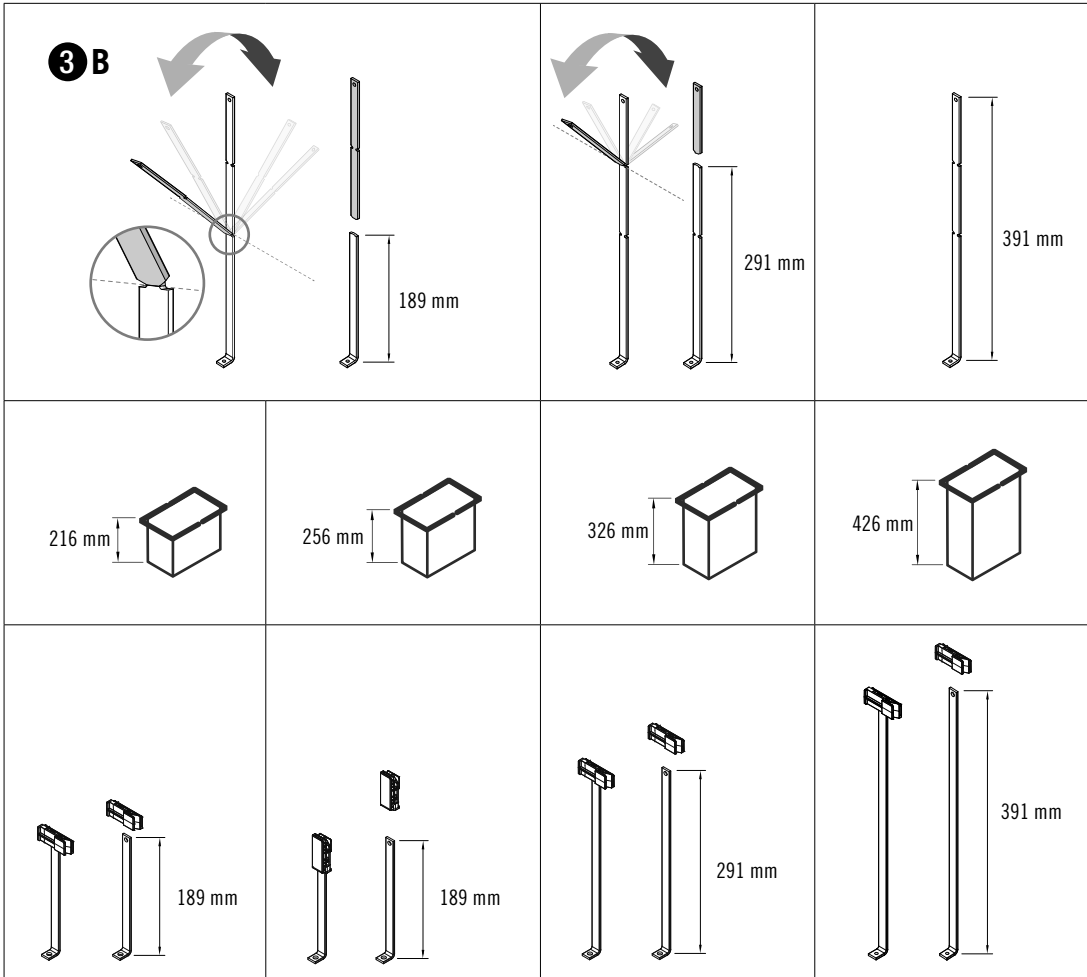


				
	216 mm	256 mm	326 mm	426 mm
X	222 mm	254 mm	324 mm	424 mm

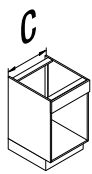
2



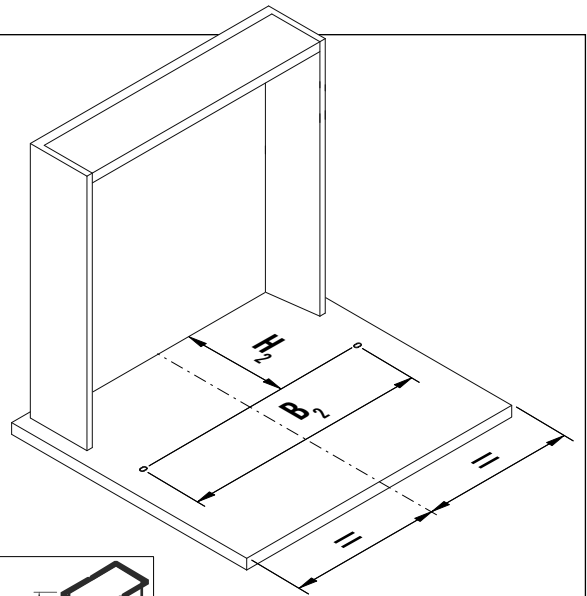
3



4



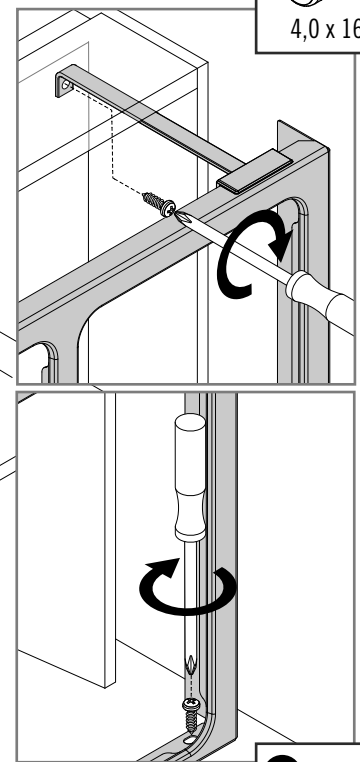
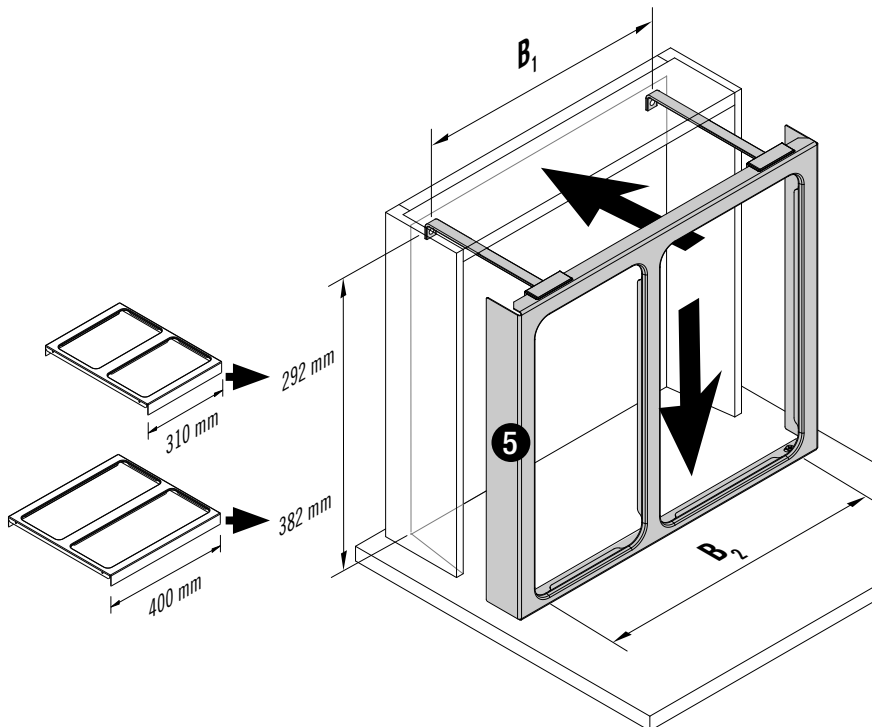
C	B ₁	B ₂
C 400	232 mm	301 mm
C 450	282 mm	351 mm
C 500	332 mm	401 mm
C 600	432 mm	501 mm
C 800	632 mm	701 mm
C 900	732 mm	801 mm



	216 mm	256 mm	326 mm	426 mm
H ₂	173 mm	205 mm	275 mm	375 mm



PZ 2



5

