

Moove

CE

Refined design and innovative features to enhance the furniture and meet any installation requirement

Recessed linear lamp made of aluminium, ideal for enhancing any space: refined design and innovative features make Moove a versatile cutting edge lighting system. The aluminium profile, 3m long, incorporates a state of the art LED strip, without modules: it is therefore possible to cut the lamp to the millimeter without damaging the light source. The luminaire is easily powered via a "plug&play" connector integrated within the profile's end cap; the polycarbonate screen, inclined and retracted for effective anti-glare effect, can be easily removed and reoriented to change the direction of the light beam, so meeting any installation requirement. The Emotion Dual Color LED light source guarantees uniform light emission, allowing color temperature variation from 3000K to 4000K.

IDEAL FOR

- any residential environment

FEATURES

- "plug&play" system
- easy installation/replacement
- cuttable to size
- changeable light beam direction



SCREEN ORIENTATION CHANGE



① Remove the wired power connector



② Take off the screen

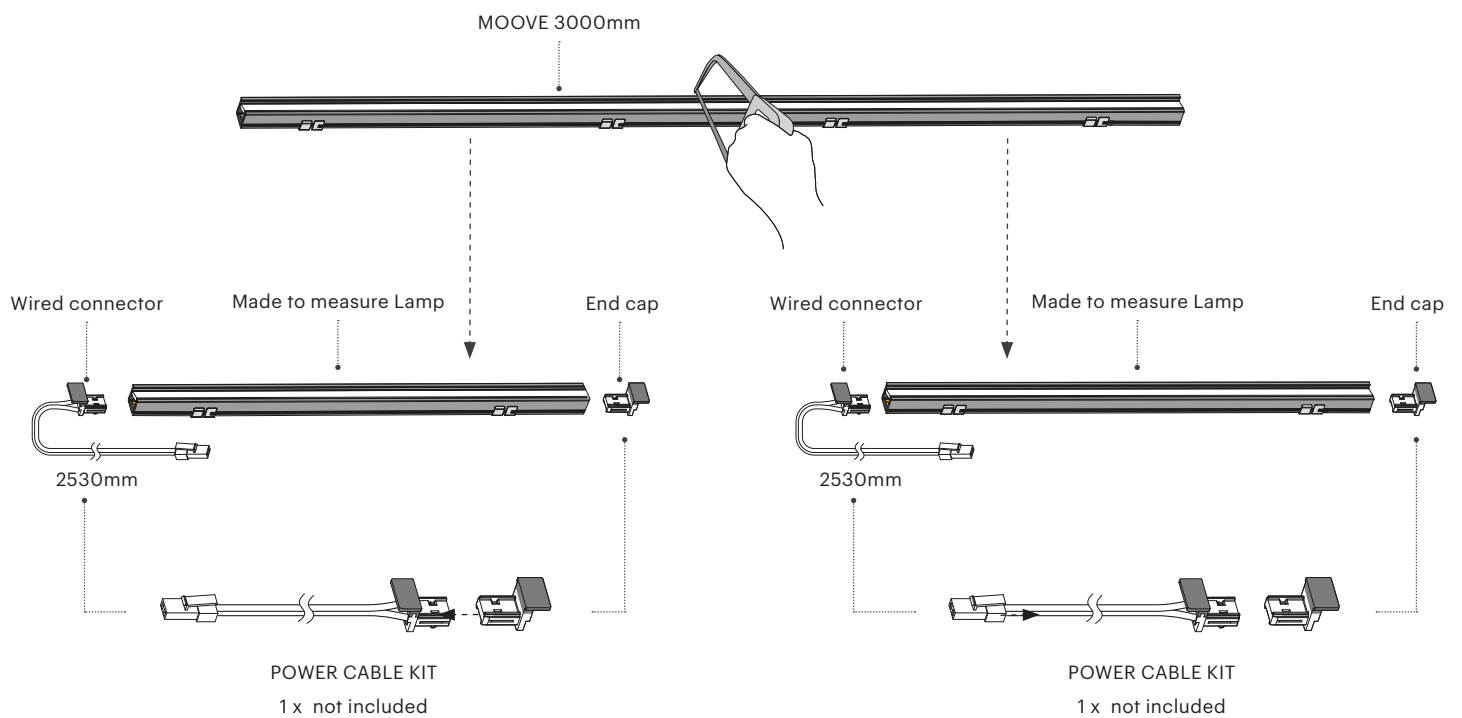


③ Rotate and re-insert the screen



④ Plug in the wired power connector

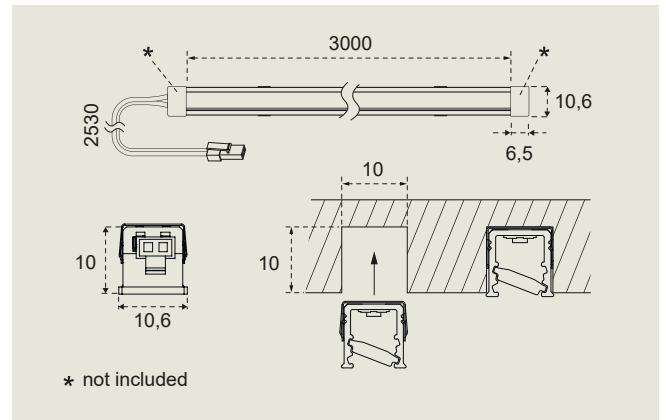
CUTTING THE LAMP TO MEASURE



Moove



03 Black

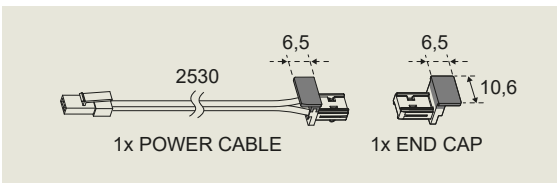
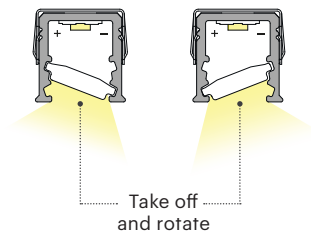


MOOVE - EDC - 24V DC		DUAL COLOR - 12W/m	
03 514100176	3000mm	3000K±4000K	&

Power cable KIT **not included**

MOOVE - 24V DC		10W/m	
03 514100172	3000mm	3000K	ww
03 514100175	3000mm	4000K	nw

Power cable KIT **not included**



POWER CABLE KIT	
600300008	2530mm

KIT with wired power connector and end cap terminal: to cut the profile in two bespoke lamps, n°2 KIT must be ordered.

ACCESSORIES, POWER SUPPLY AND CONTROL

PLUG&PLAY CONNECTOR

The end cap terminal integrates the power connector with 2530mm cable, allowing easy installation/replacement of the luminaire



EMOTION JUMPER (MOOVE EDC)

The cable (sold separately - 940600015) allows colour temperature variation from 3000K to 4000K.



MEC DRIVER

Power supply system for 12-24V LED with modular connection of distribution and Smart control modules



SMART SYSTEM

Wireless sensors and controllers for remote control of the LED lamps connected to Smart control modules

