

①

4,2 x 16 mm (12x)



②

3,9 x 16 mm (6x)



⑤

Rosetta M5



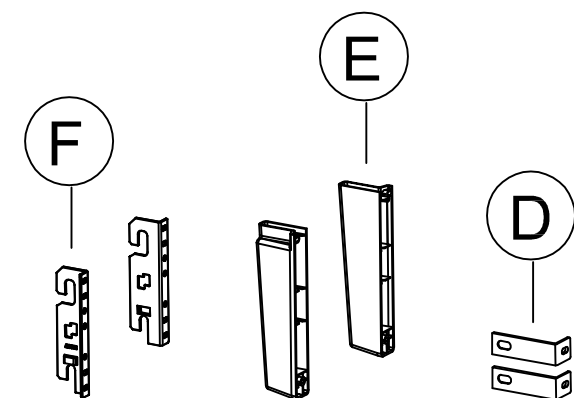
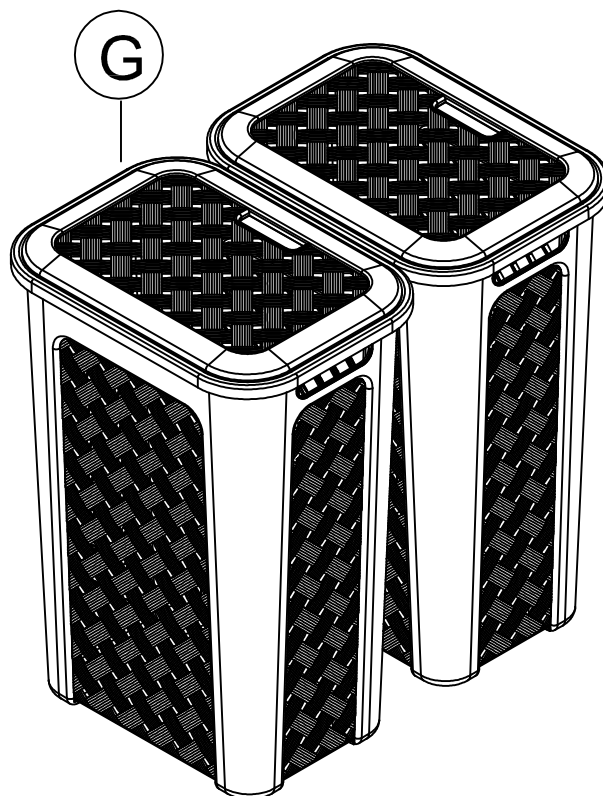
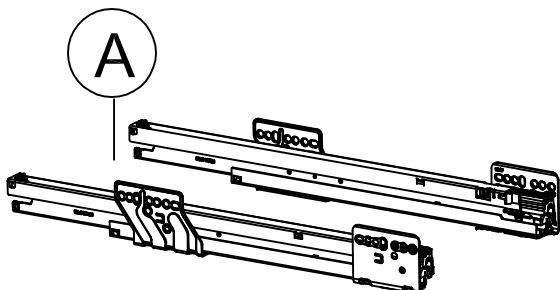
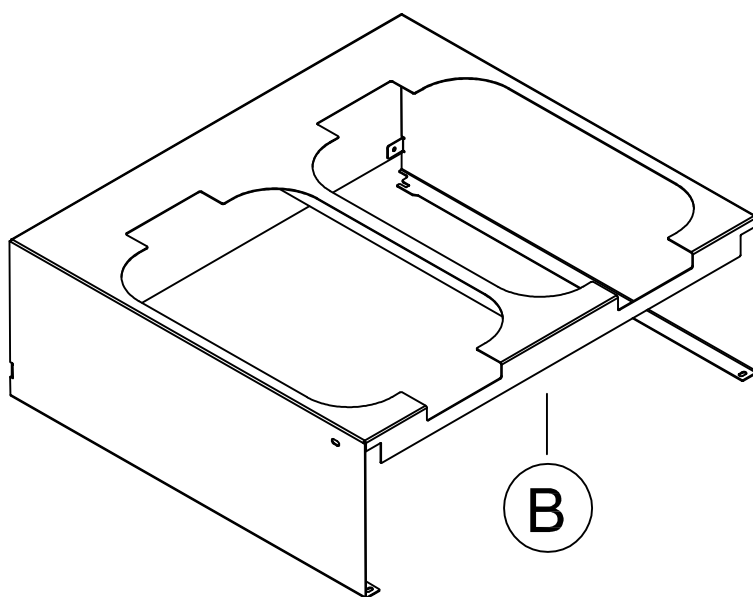
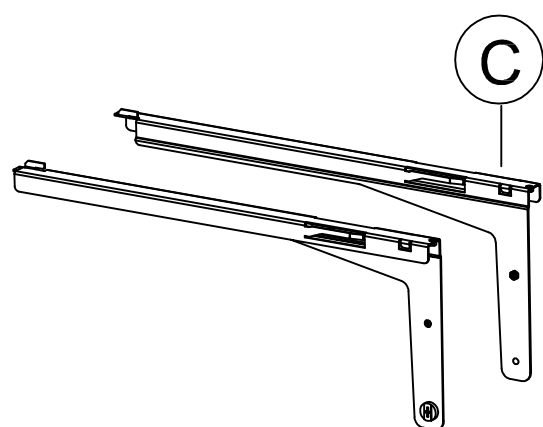
③

M4 x 6 mm (2x)

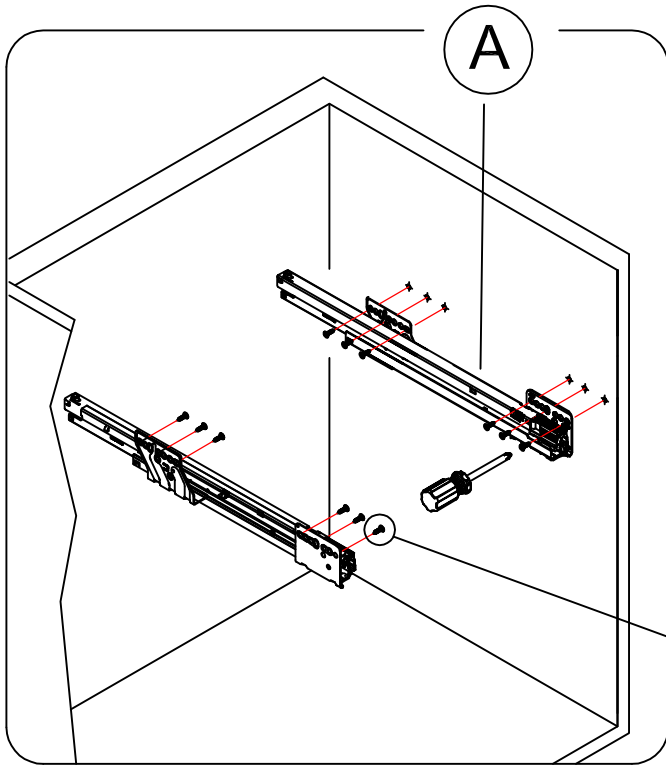


④

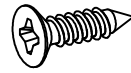
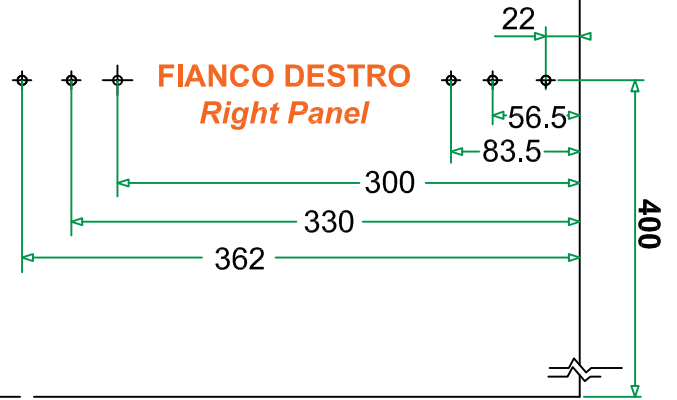
M5 x 8 mm (2x)



1



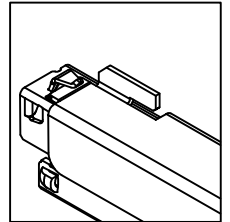
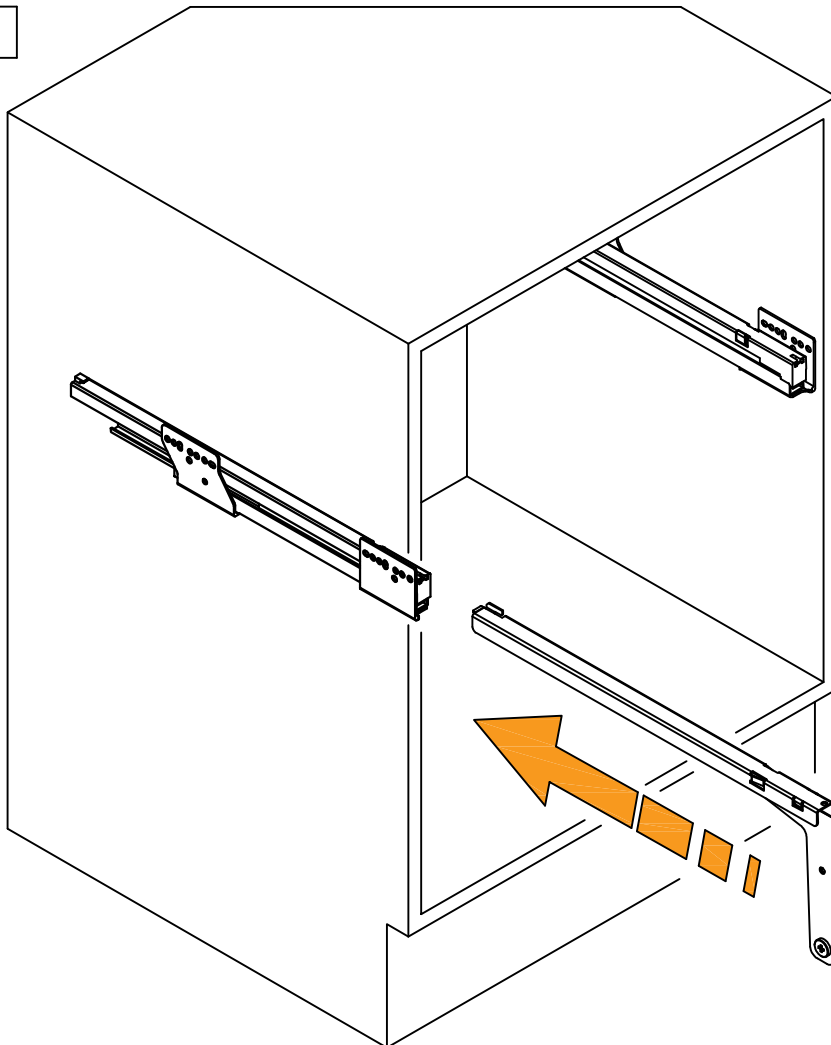
FRONTE
Front



1

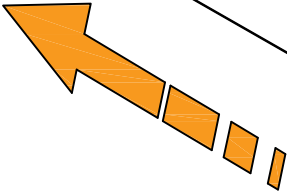
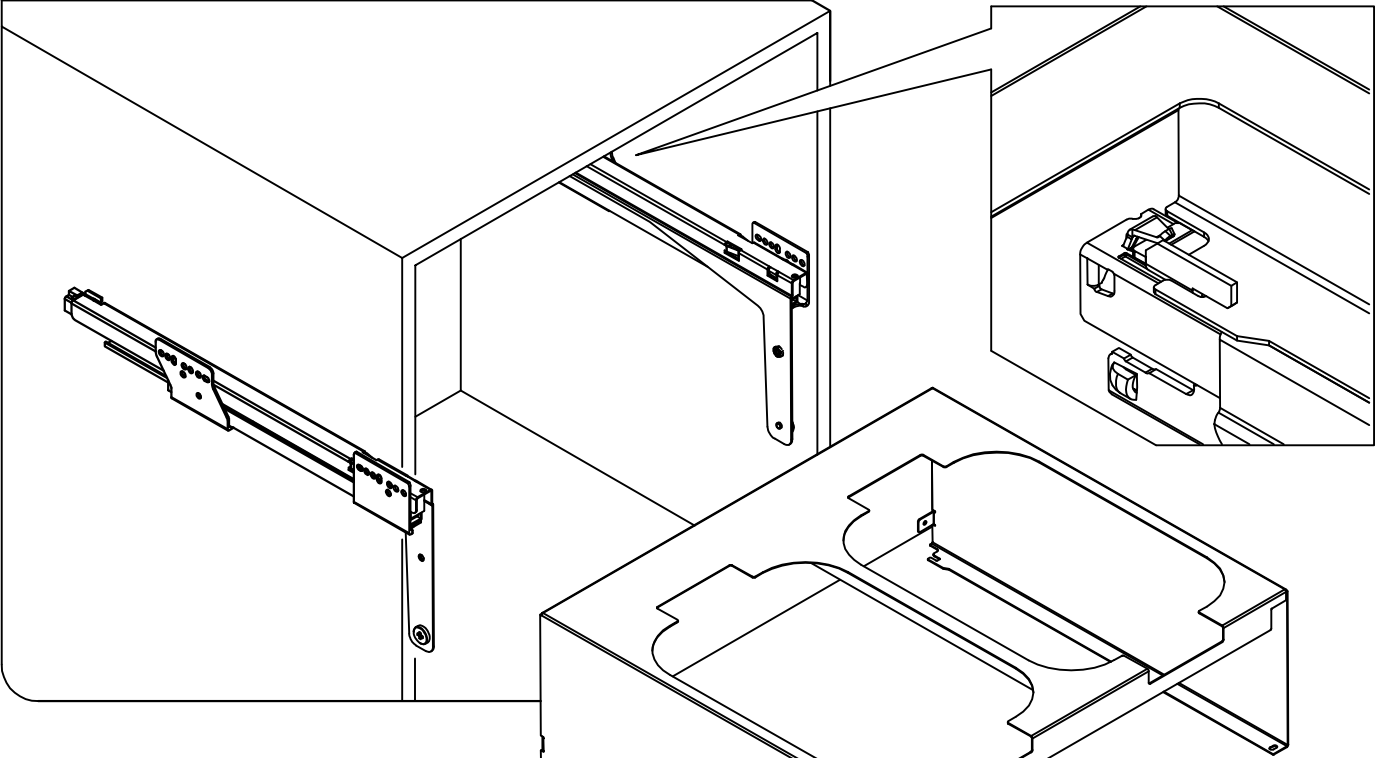
4,2 x 16 mm (12x)

2

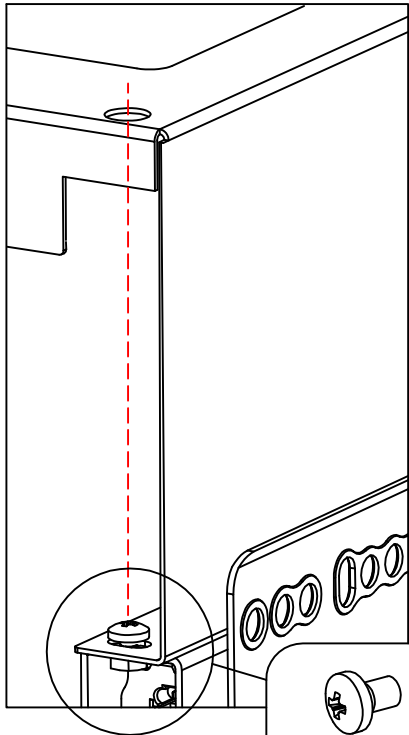


C

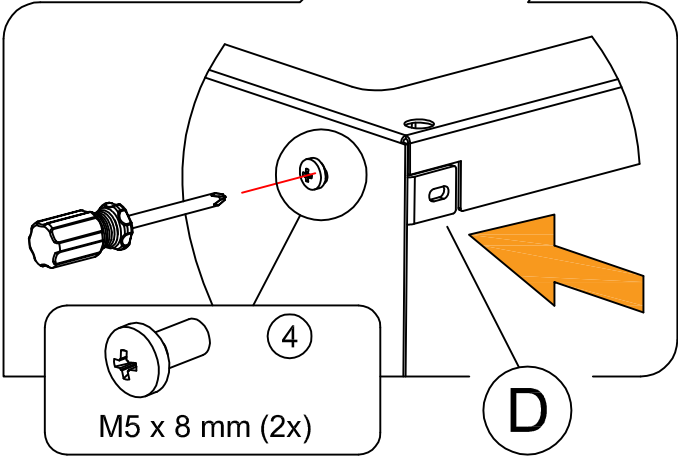
3



B



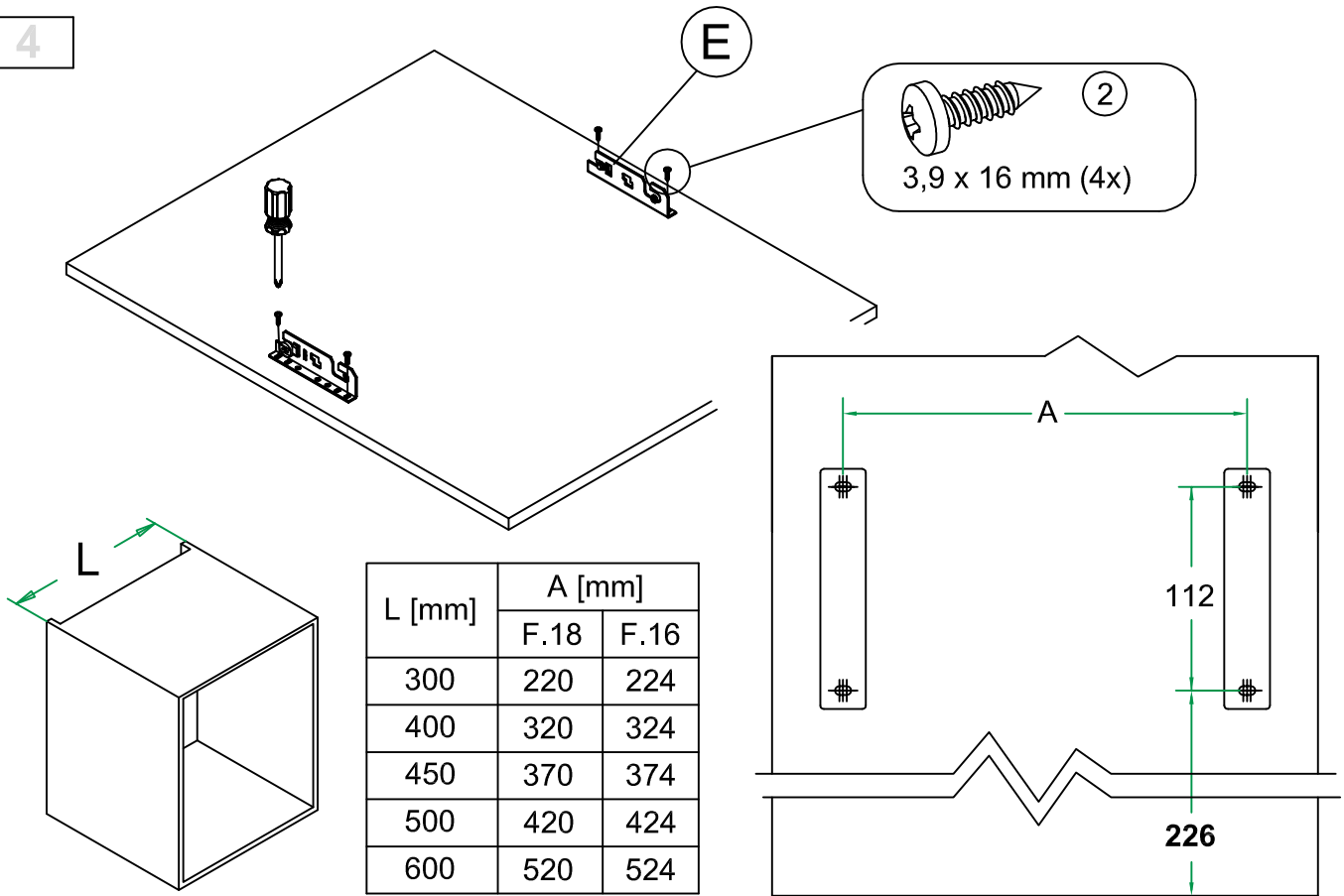
3
M4 x 6 mm (2x)



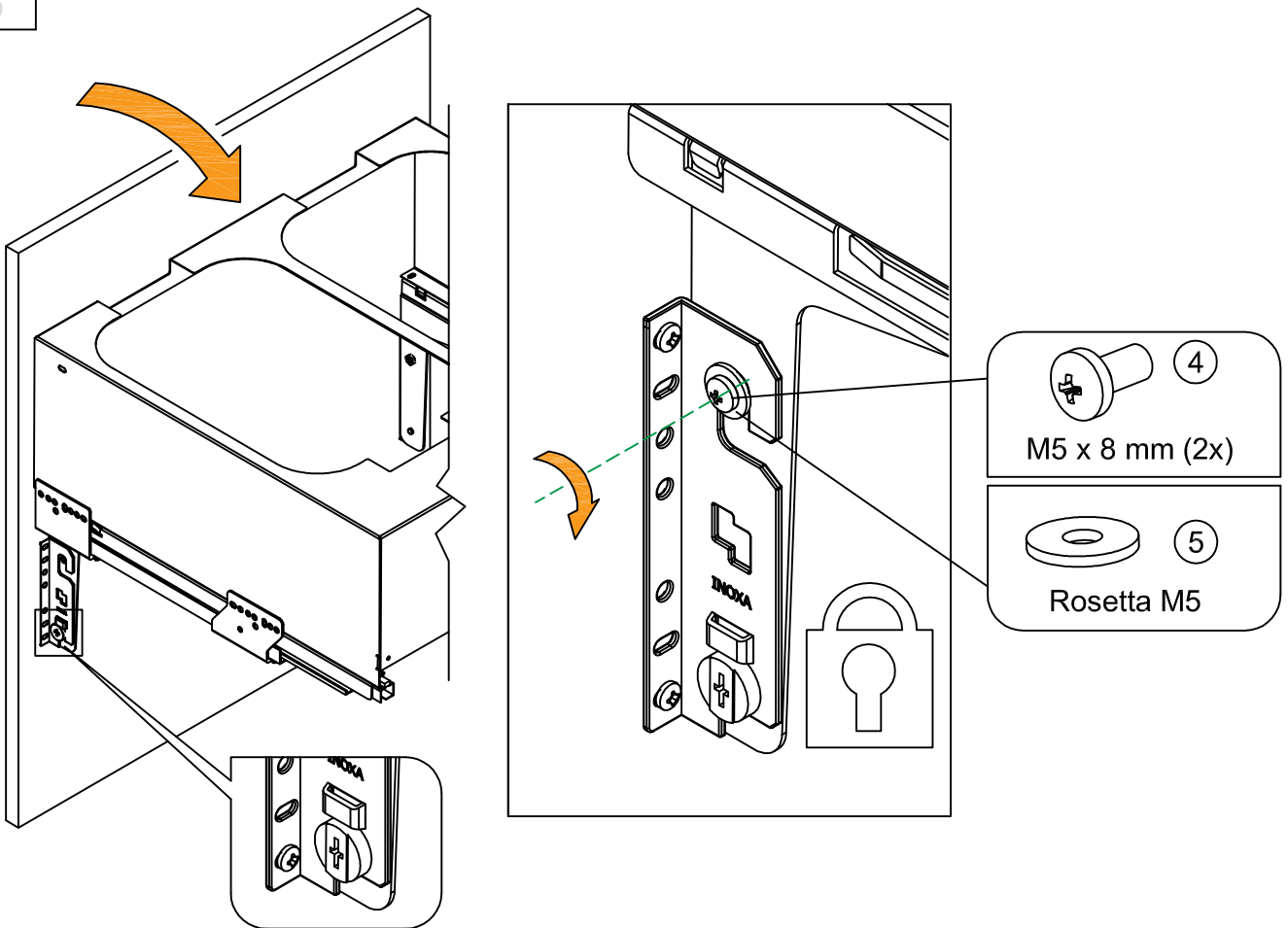
4
M5 x 8 mm (2x)

D

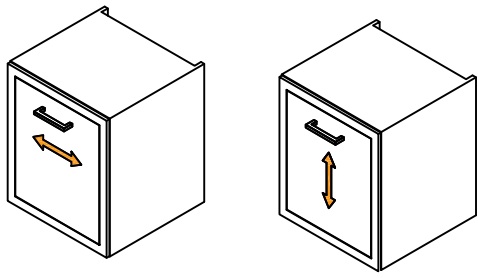
4



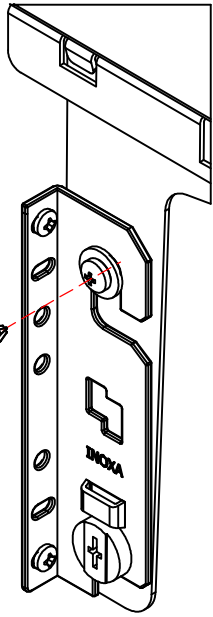
5



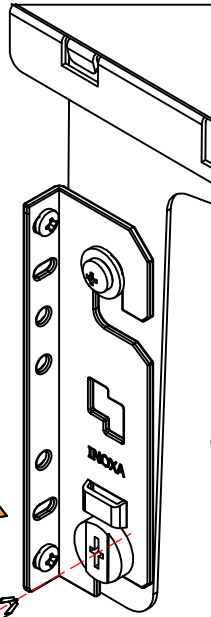
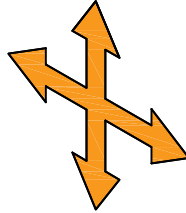
6



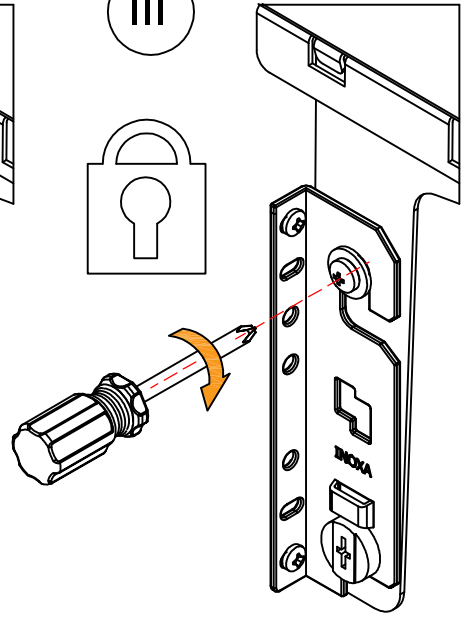
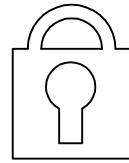
I



II

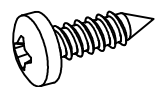
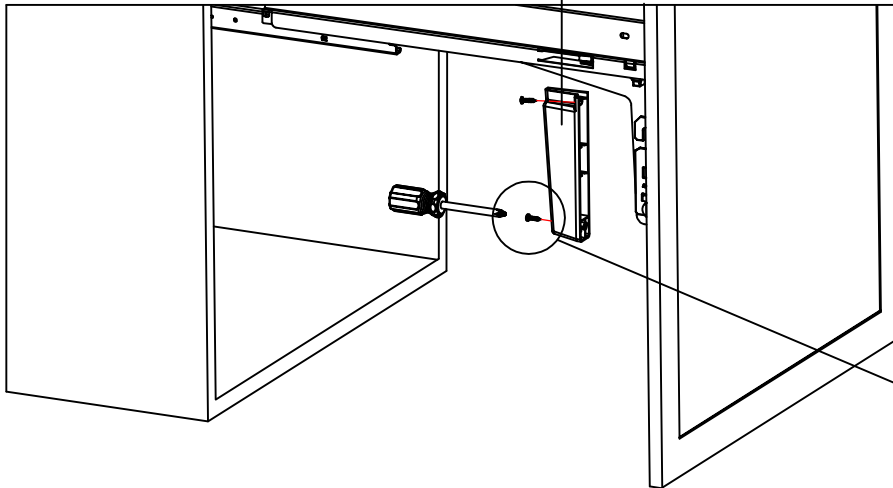


III



7

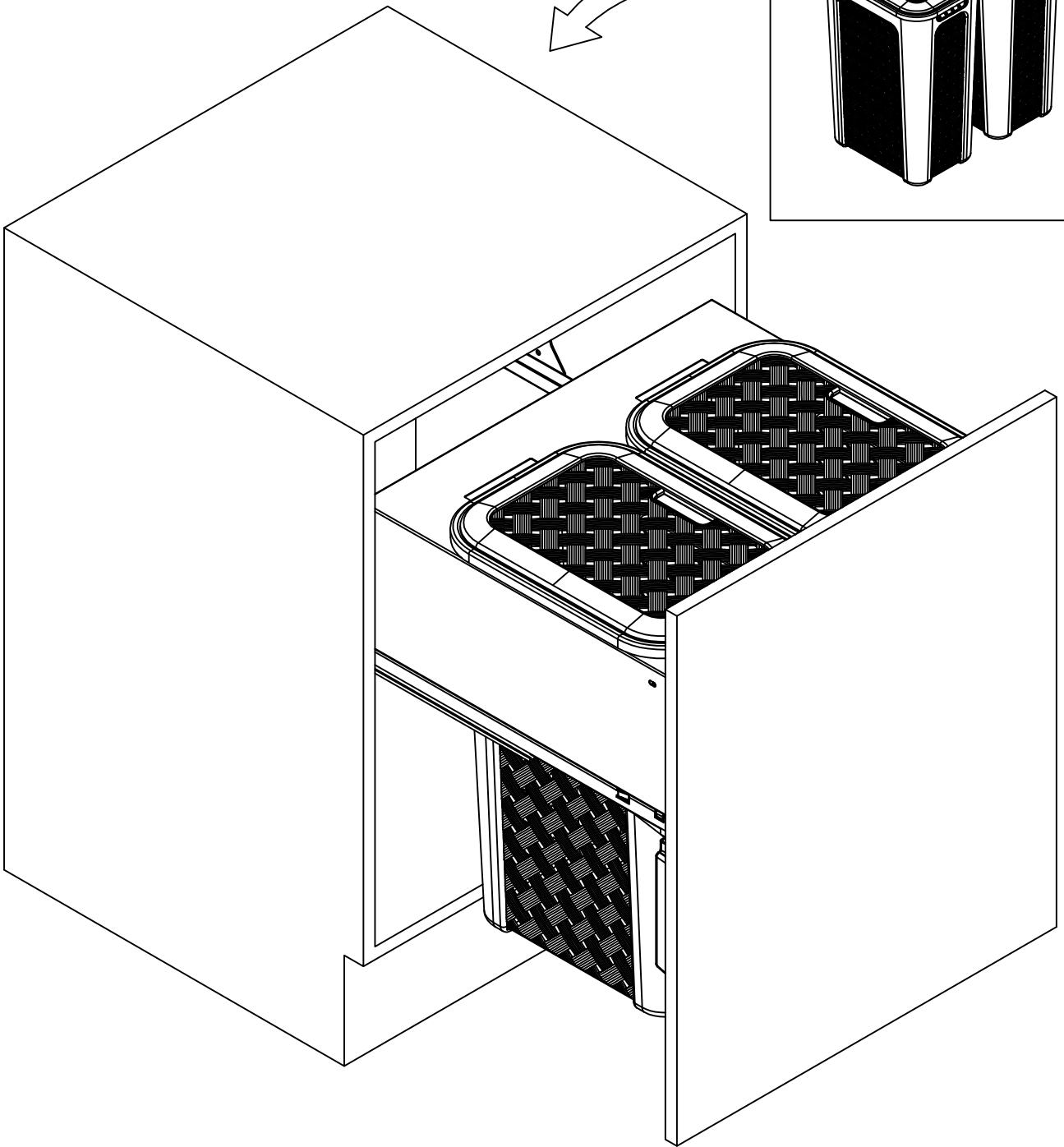
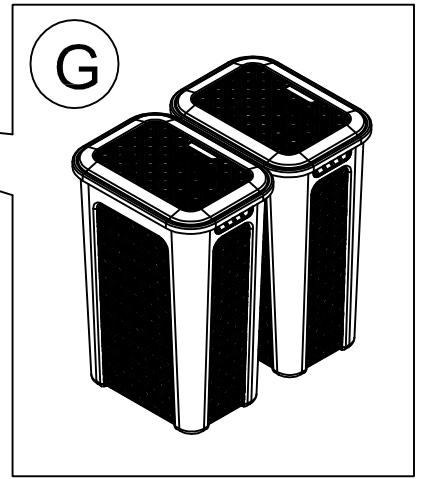
F



2

3,9 x 16 mm (6x)

8



<p>97PB/60</p> <p>0</p> <p>0</p>	<p>97PB/45</p> <p>=</p>
----------------------------------	-------------------------