



10 min

**A**

Optional

x 4



**B**

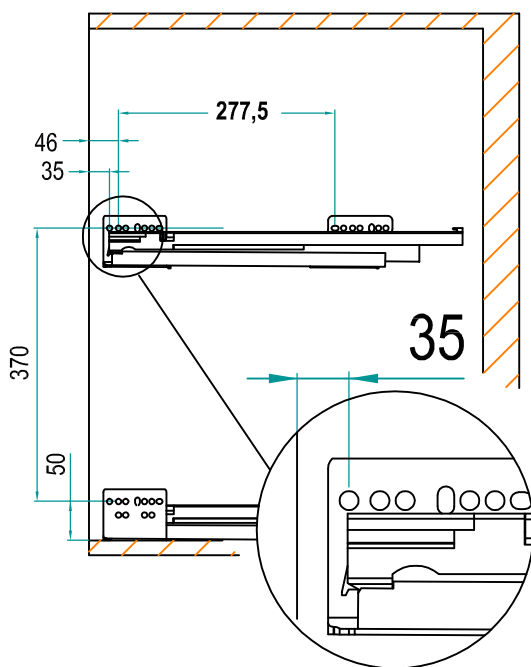
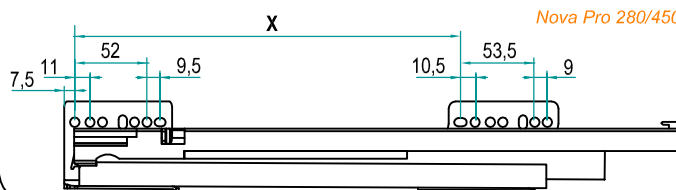
x 4



**1**

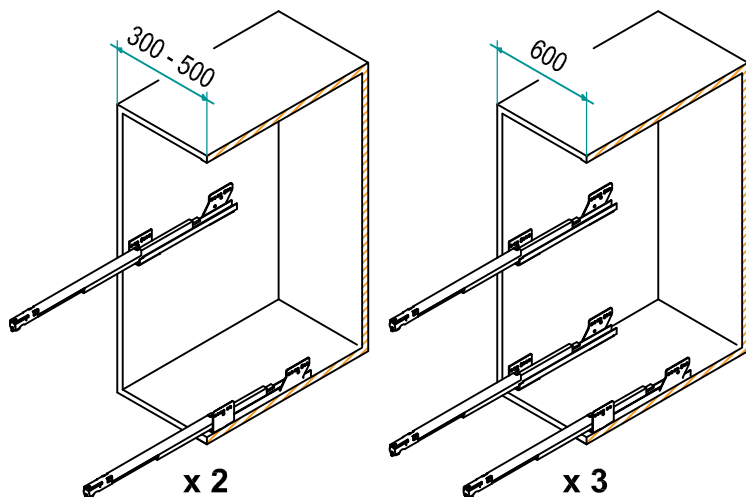
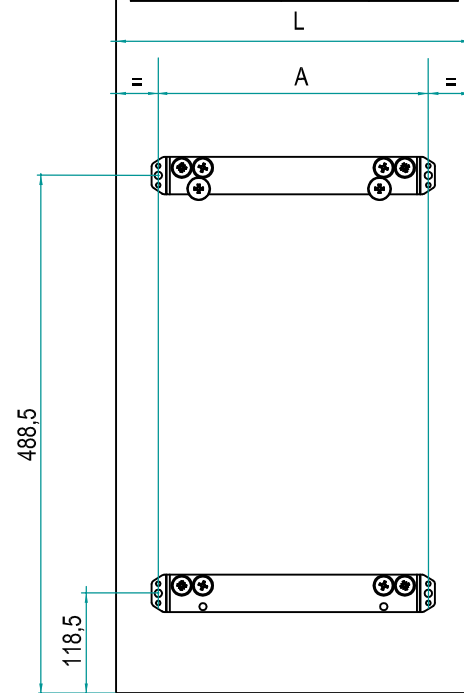
**GRASS**

*Nova Pro 280/450 EB29*

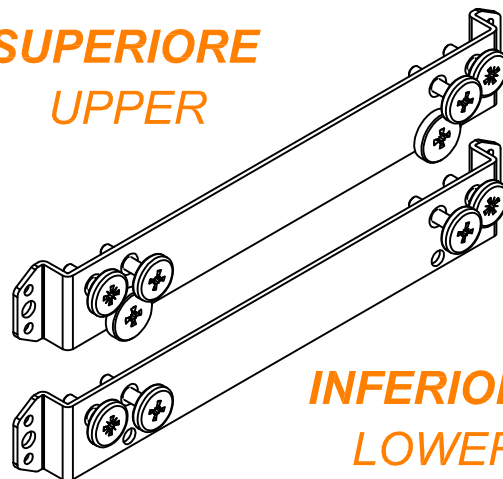


**2**

Code	L [mm]	A [mm]
7102KKY/30	300	224
7102KKY/40	400	324
7102KKY/45	450	374
7102KKY/50	500	424
7102KKY/60	600	524

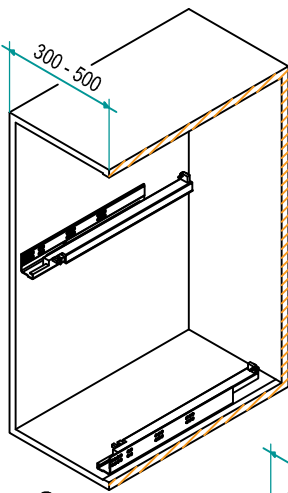
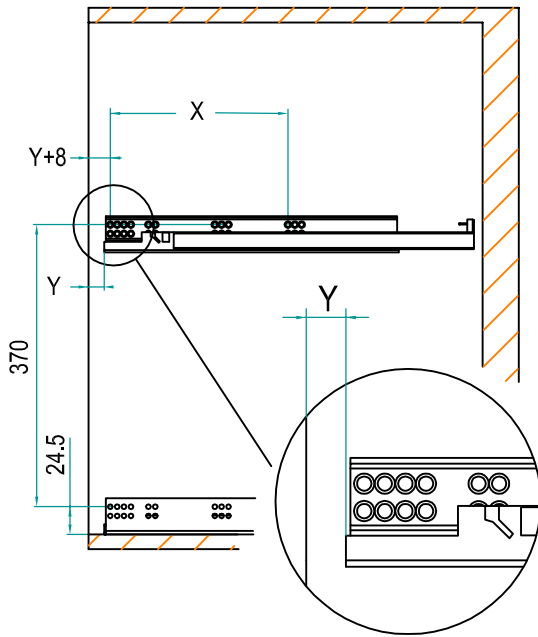
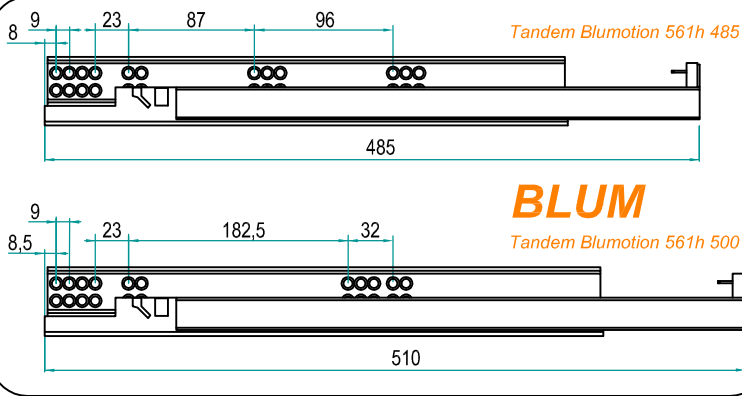


**SUPERIORE**  
**UPPER**

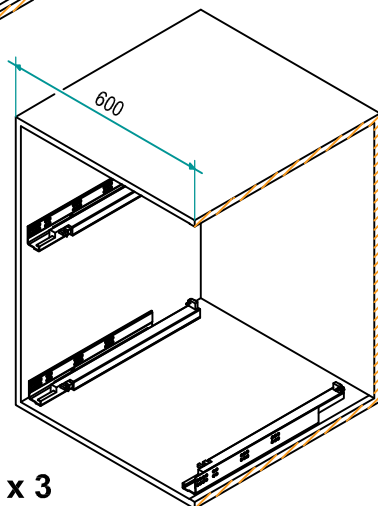


**INFERIORE**  
**LOWER**

1

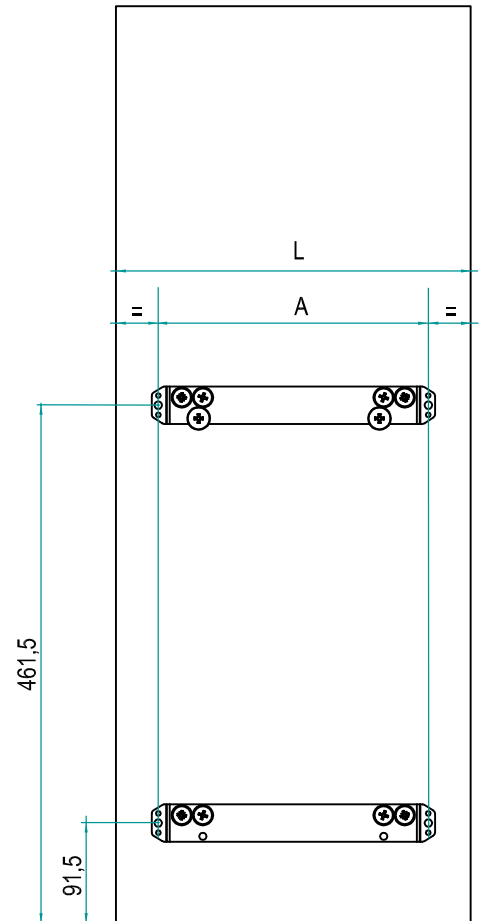


Slides	X [mm]	Y [mm]
561h 485	206	26
561h 500	232,5	20

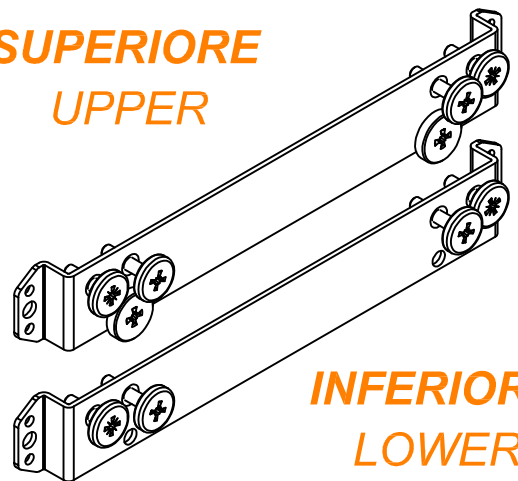


2

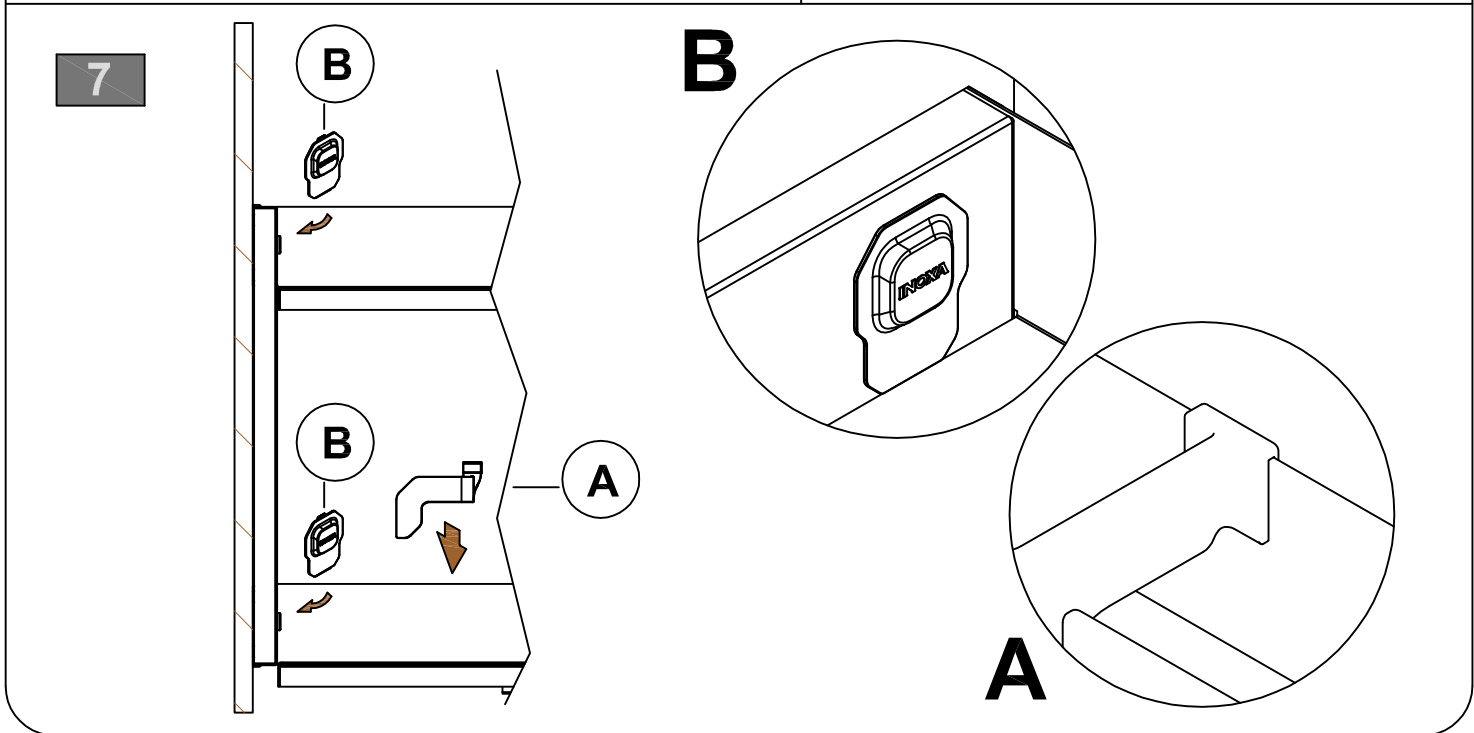
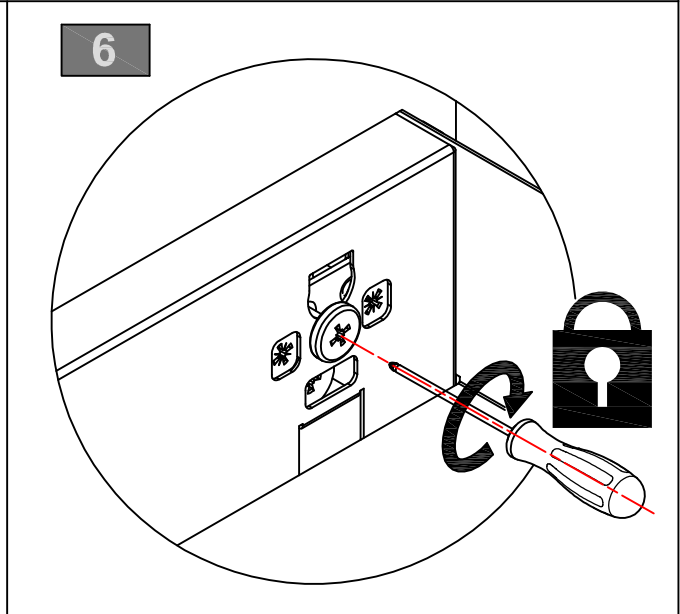
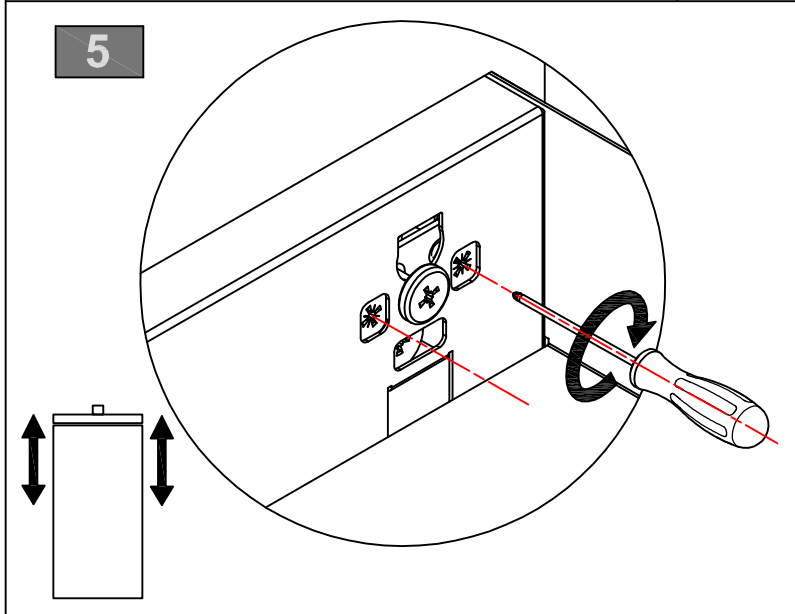
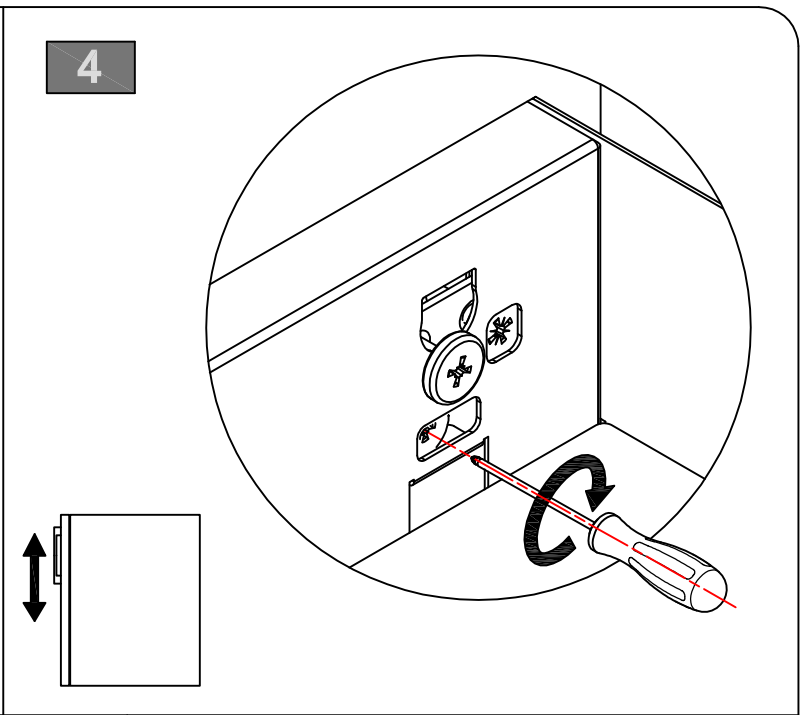
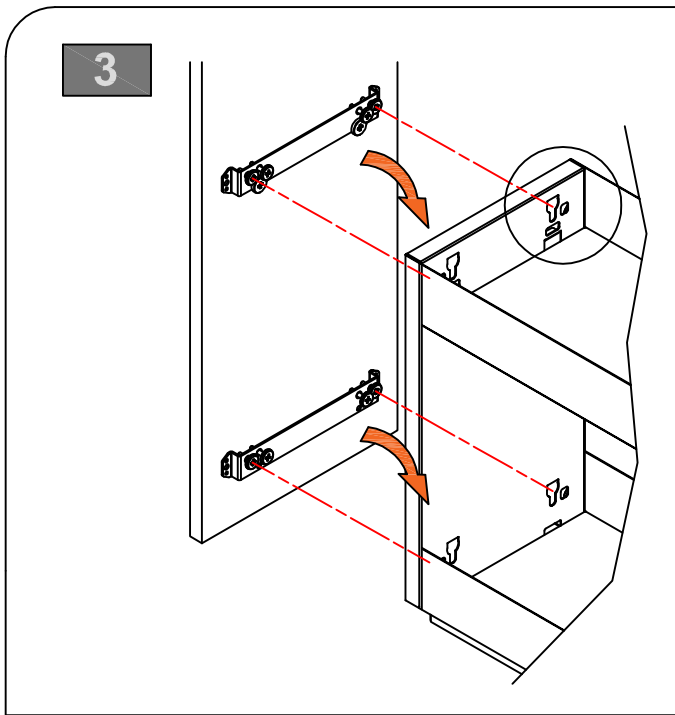
Code	L [mm]	A [mm]
7102KKY/30	300	224
7102KKY/40	400	324
7102KKY/45	450	374
7102KKY/50	500	424
7102KKY/60	600	524



**SUPERIORE**  
**UPPER**

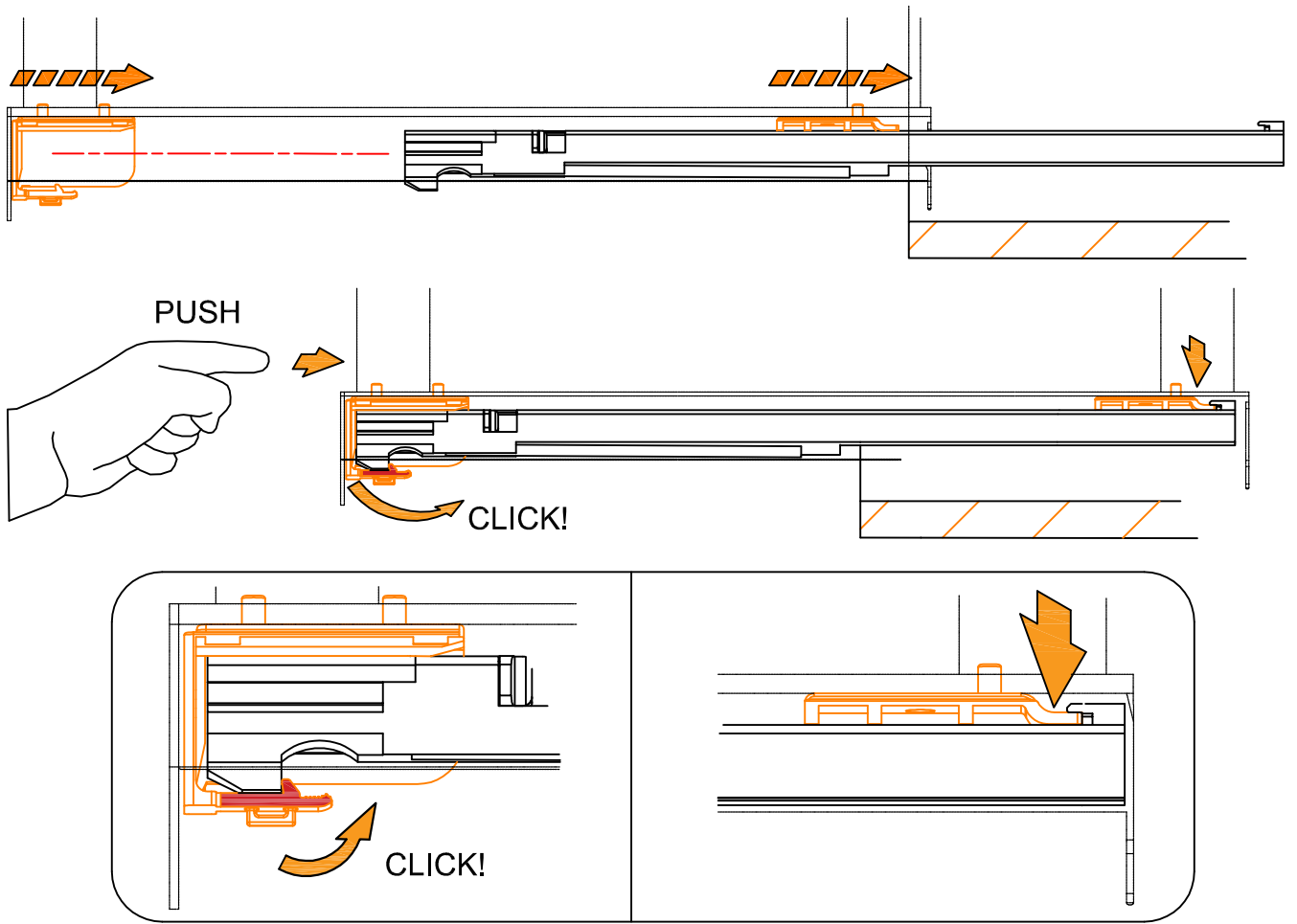


**INFERIORE**  
**LOWER**



1.1

INSERIMENTO ARTICOLO  
BASKET INSERT



1.2

RIMOZIONE CESTO  
BASKET REMOVAL

