

STORAGE SOLUTIONS FOR KITCHENS



VS
SUB

**VS SUB[®] -
BASE CABINETS**

VS SUB[®] Side



Product visualisation exemplary.
Design and colour may vary.

CONSUMER BENEFITS



Comfortable Access

Bring items stored in the back of the cabinet to the front for easy access.



Optimal Use Of Space

Utilise every cm of your cabinet space by utilising narrow niches for additional, convenient storage.



Complete Visibility With One Pull

Open the door and every item is instantly visible.



Save Time

No need to constantly move around items to find the one you need – everything is stored in an easy access format.



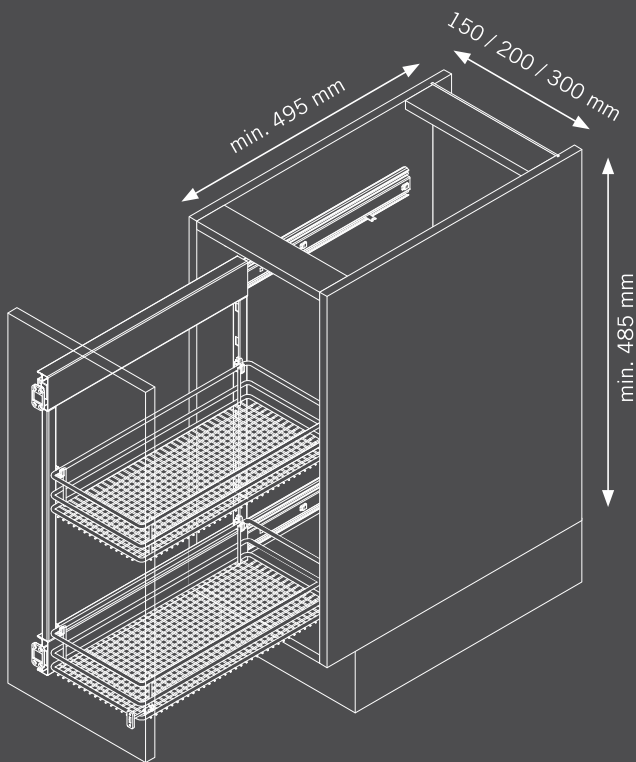
Height Adjustable Trays

Each tray is easily adjusted up or down, allowing you to custom build your own VS SUB[®] Side to your tastes and needs.



Integrated Soft And Self-Closing

Damping mechanism for smooth and silent usage - no more ratteling of stored items.



INSTALLER BENEFITS



Installation Template For Easy Installation

No measuring necessary.



Unhanded Installation

No need to worry about right or left handed applications, the VS SUB® Side works both ways!



Tool-Free Front Connection

No tools needed when attaching the cabinet front.



3D Front Adjustment

Allows simple, convenient front adjustment, even after installing into the cabinet.



Two & Three Set Basket Options

For ideal utilisation of higher and lower installation heights.



Retrofit Ready

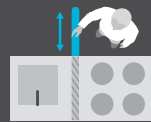
Can be installed in existing cabinetry without removing the countertop.

VS SUB® Slim



Product visualisation exemplary.
Design and colour may vary.

CONSUMER BENEFITS



Comfortable Access

Bring items stored in the back of the cabinet to the front for easy access.



Optimal Use Of Space

Utilise every cm of your cabinet space by utilising narrow niches for additional, convenient storage.



Complete Visibility With One Pull

Open the door and every item is instantly visible.



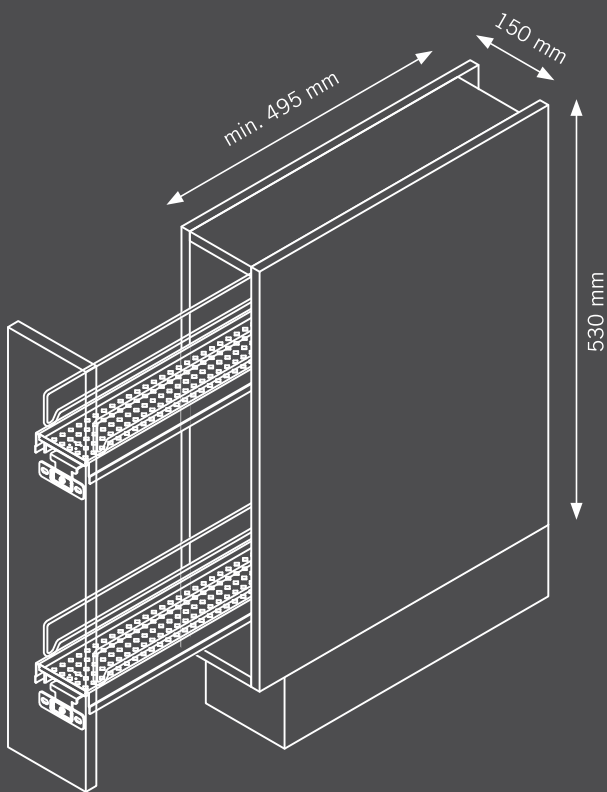
Save Time

No need to constantly move around items to find the one you need – everything is stored in an easy access format.



Integrated Soft And Self-Closing

Damping mechanism for smooth and silent usage - no more ratteling of stored items.



INSTALLER BENEFITS



Right Hand Installation Only

No need to worry about right or left handed applications, the VS SUB® Slim can only be installed on the right hand side.



Tool-Free Connection

Toolless assembly of the pull-outs on the runners.



3D Front Adjustment

Allows simple, convenient front adjustment, even after installing into the cabinet.



Retrofit Ready

Can be installed in existing cabinetry without removing the countertop.

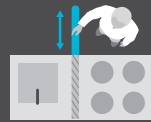
VS SUB[®] Rack

VAUTH
SAGEL



Product visualisation exemplary.
Design and colour may vary.

CONSUMER BENEFITS



Complete Overview At One Pull

When opening, full visibility of the stored goods is provided.



Comfortable Use Of Space

Utilise every cm of your cabinet space by utilising narrow niches for additional, convenient storage.



Complete Visibility With One Pull

Open the door and every item is instantly visible.



Save Time

No need to constantly move around items to find the one you need – everything is stored in an easy access format.



Optimum Air Circulation

Hygienic storage of fruit and vegetables, cause wire trays allow the air to circulate.



Integrated Soft And Self-Closing

Damping mechanism for smooth and silent usage - no more ratteling of stored items.

INSTALLER BENEFITS



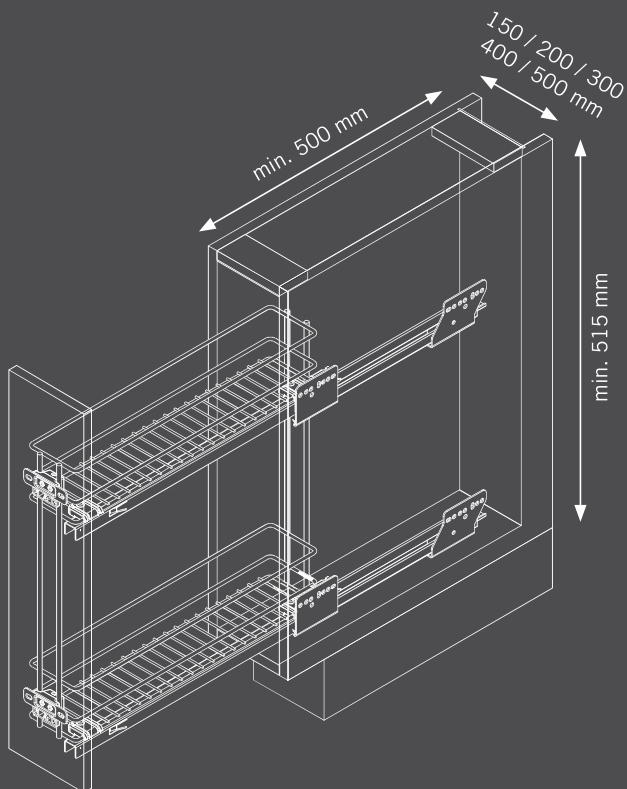
3D Front Adjustment

Allows simple, convenient front adjustment, even after installing into the cabinet.



Retrofit Ready

Can be installed in existing cabinetry without removing the countertop.



VS SUB[®] Basket



Product visualisation exemplary.
Design and colour may vary.

CONSUMER BENEFITS



Comfortable Access

Bring items stored in the back of the cabinet to the front for easy access.



Optimum Air Circulation (Applies only to wire mesh storage trays)

Hygienic storage of fruit and vegetables, cause wire trays allow the air to circulate.



Independant Movement Of Shelves

For more convenient and better access to the lower shelf.



Door-Mounted Lower Shelf (Applies only to version with front connection)

The lower shelf opens automatically when opening the door – for more convenient usage. Both shelves close automatically when closing the door.



Integrated Soft And Self-Closing

Damping mechanism for smooth and silent usage - no more ratteling of stored items.

INSTALLER BENEFITS



Tool-Free Assembly Of Pull-Outs On Runners

Toolless assembly of the baskets on the runners.



Retrofit Ready

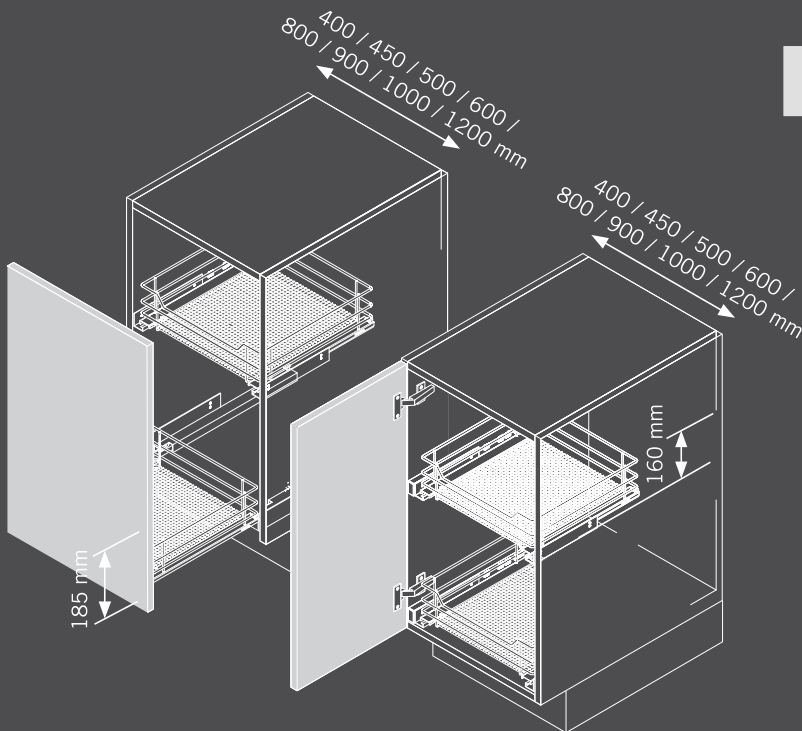
Can be installed in existing cabinetry without removing the countertop.



3D Front Adjustment

(Applies only to version with front connection)

Allows simple, convenient front adjustment, even after installing into the cabinet.



VS SUB[®] Basket



Planero[®] Design

Product visualisation exemplary.
Colour may vary.

CONSUMER BENEFITS



Comfortable Access

Bring items stored in the back of the cabinet to the front for easy access.



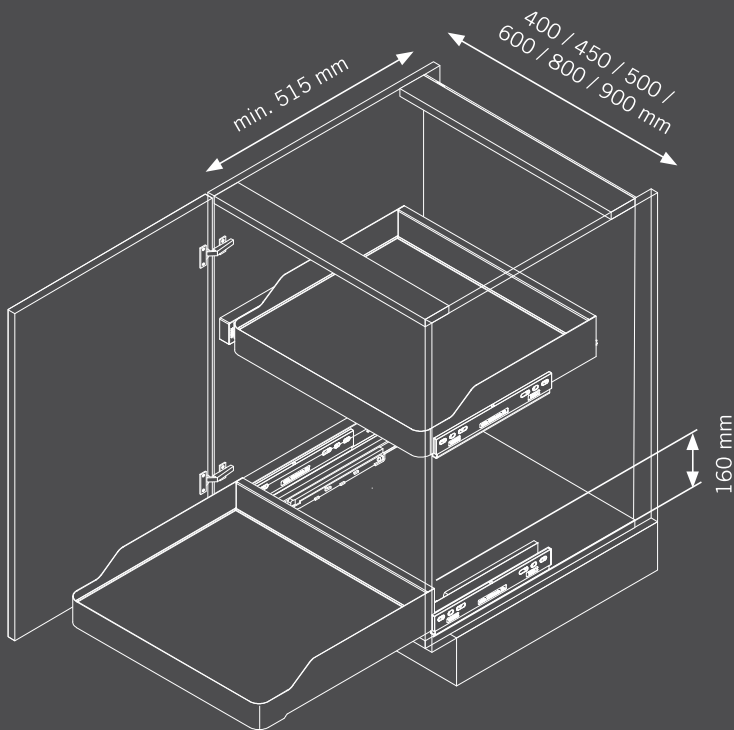
Independent Movement Of Shelves

For more convenient and better access to the lower shelf.



Integrated Soft And Self-Closing

Damping mechanism for smooth and silent usage - no more ratteling of stored items.



INSTALLER BENEFITS



Tool-Free Assembly Of Pull-Outs On Runners

Toolless assembly of the trays on the runners.



Retrofit Ready

Can be installed in existing cabinetry without removing the countertop.

VS SUB[®] Sink

VAUTH
SAGEL



Product visualisation exemplary.
Design and colour may vary.

CONSUMER BENEFITS



Comfortable Use Of Space

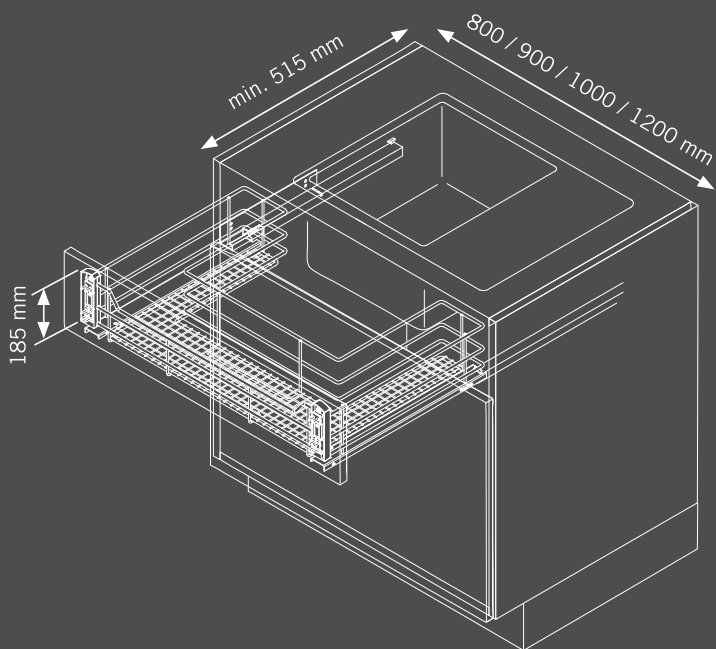
Uses the often unused space around the sink.



Optimum Air Circulation

Wire tray allows the air to circulate.





INSTALLER BENEFITS



Tool-Free

Toolless assembly of the system on the runners.



3D Front Adjustment

Allows simple, convenient front adjustment, even after installing into the cabinet.



Retrofit Ready

Can be installed in existing cabinetry without removing the countertop.

VS ENVI® Space/S/Pro



Product visualisation exemplary.
Design and colour may vary.

CONSUMER BENEFITS



Clearly Arranged Waste Separation

Different bins with the option to store different kinds of waste. So you can easily separate the waste.



Synchronised Runners With Full Extension

Easy removal of the rear bin without first having to remove the front bin.



Extendible Powder Coated Lid

For additional storage space.



Various Bin Sizes

The right size for everyone.



Bins Are Made Of Food Proof Plastic

Suitable for storing pet food, for example.



Easy To Clean & Dishwasher Safe

Smooth surfaces for easy cleaning. Bins can be washed in the dishwasher at up to 70°C.



Bin Handles

For bag fastening, easy carrying and removal of the bins.



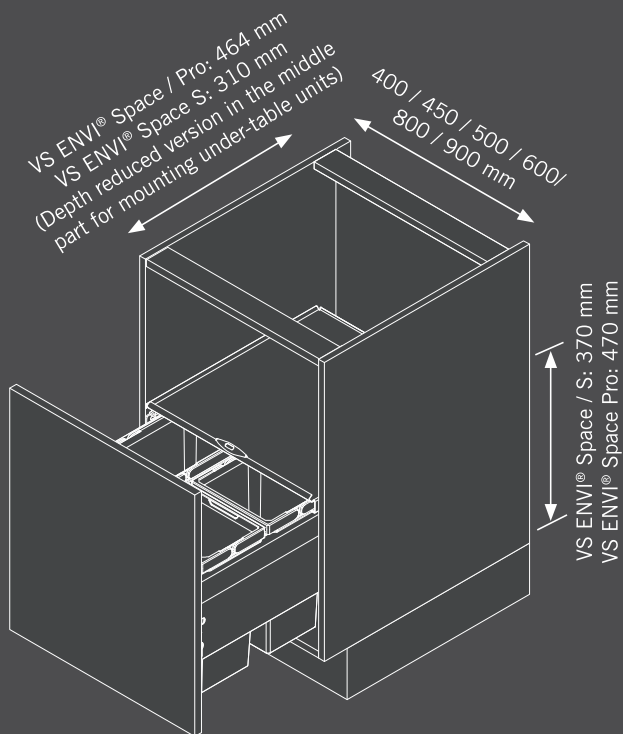
Optional Lid Variants

Standard lid closed or bio-lid with active carbon filter.



Integrated Soft And Self-Closing

Damping mechanism for smooth and silent closing.



INSTALLER BENEFITS



Special Variant

For under-table units with an installation depth of 310 mm.



For Usage Underneath The Sink Or A Drawer



Installation Template

No measuring necessary.



Tool-Free Assembly Of The System On The Runners

No tools needed when assembling the system on the runners.



3D Cam Shaft Adjustment

Allows simple, convenient front adjustment, even after installing into the cabinet.



Retrofit Ready

Can be installed in existing cabinetry without removing the countertop.

VS ENVI® Drawer

VAUTH
SAGEL



Product visualisation exemplary.
Design and colour may vary.

CONSUMER BENEFITS



Clearly Arranged Waste Separation

Different bins with the option to store different kinds of kitchen utensils.



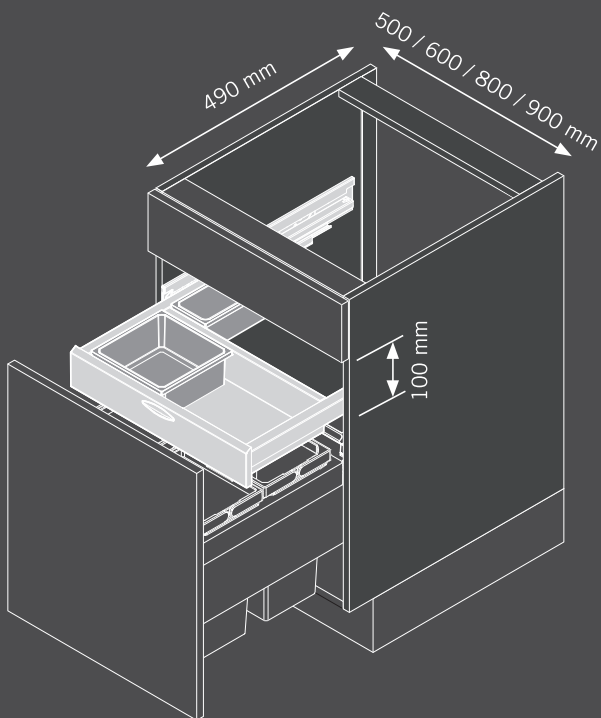
Optimal Use Of Space

Depending on the position of the water connections, the containers can be arranged accordingly.



Easy To Clean & Dishwasher Safe

Simple removal of the complete system for cabinet cleaning. Smooth surfaces for easy cleaning. Bins can be washed in the dishwasher at up to 70°C.



INSTALLER BENEFITS



Installation Template For Easy Installation
No measuring necessary.



EasyFit
Toolless removal and installation after initial assembly.



Retrofit Ready
Can be installed in existing cabinetry without removing the countertop.

VS ENVI® Space XX



Product visualisation exemplary.
Design and colour may vary.

CONSUMER BENEFITS



Clearly Arranged Waste Separation

Different bins with the option to store different kinds of waste. So you can easily separate the waste.



Synchronised Runners With Over Extension

Easy removal of the rear bin without first having to remove the front bin.



Powder Coated Lid

For additional storage space.



Various Bin Sizes

The right size for everyone.



Bins Are Made Of Food Proof Plastic

Suitable for storing pet food, for example.



Easy To Clean & Dishwasher Safe

Smooth surfaces for easy cleaning. Bins can be washed in the dishwasher at up to 70°C.



Bin Handles

For bag fastening, easy carrying and removal of the bins.



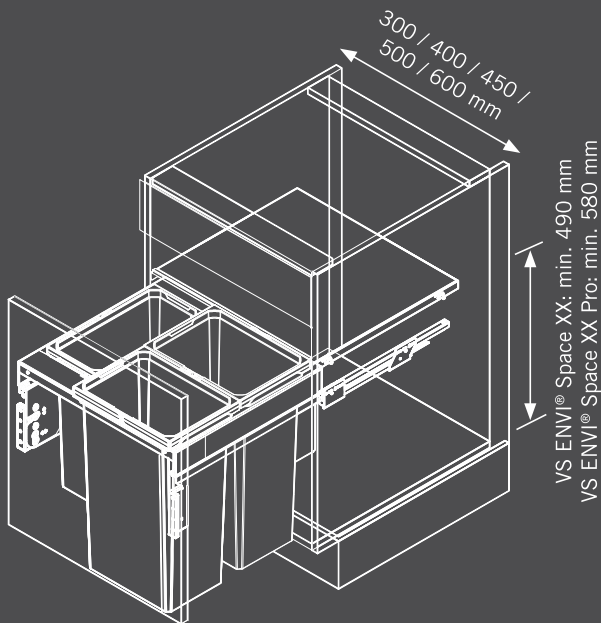
Optional Lid Variants

Standard lid closed or bio-lid with active carbon filter.



Integrated Soft And Self-Closing

Damping mechanism for smooth and silent closing.



INSTALLER BENEFITS



Tool-Free Assembly Of The System On The Runners

No tools needed when assembling
the system on the runners.



Installation Template

No measuring necessary.



For Usage Underneath The Countertop Or Drawer



3D Cam Shaft Adjustment

Allows simple, convenient front adjustment,
even after installing into the cabinet.



Retrofit Ready

Can be installed in existing cabinetry without
removing the countertop.

VS ENVI® Kick



CONSUMER BENEFITS

Hands-Free Door Opening

For convenient hands-free opening of drawers or systems with front connection.



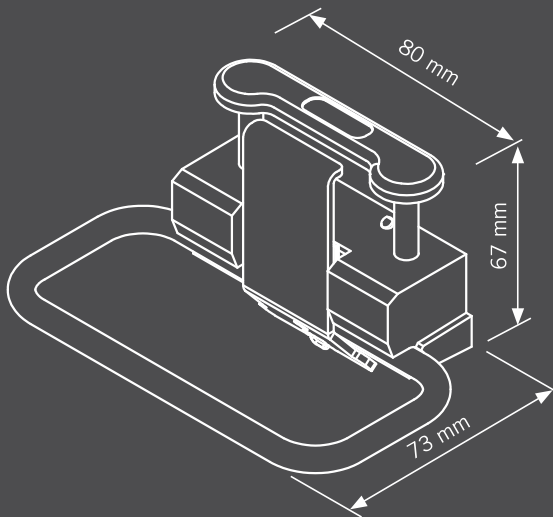
Save Time

Both hands full? Don't set anything down! Just use your VS ENVI® Kick to open.



No Noise

Virtually silent.



INSTALLER BENEFITS



Installation Template For Easy Installation

No measuring necessary.



Retrofit Ready

Can be installed in existing cabinetry without removing the countertop.

VS ENVI® Fit

VAUTH
SAGEL



Product visualisation exemplary.
Design and colour may vary.

CONSUMER BENEFITS



Clearly Arranged Waste Separation

Different bins with the option to store different kinds of waste. So you can easily separate the waste.



Extendible Powder Coated Lid

For additional storage space.



Various Bin Sizes

The right size for everyone.



Bins Are Made Of Food Proof Plastic

Suitable for storing pet food, for example.



Easy To Clean & Dishwasher Safe

Smooth surfaces for easy cleaning. Bins can be washed in the dishwasher at up to 70°C.



Bin Handles

For bag fastening, easy carrying and removal of the bins.



Optional Lid Variants

Standard lid closed or bio-lid with active carbon filter.

INSTALLER BENEFITS



Maximum Flexibility

The simple installation allows for maximum flexibility in relation to the frame system, with minimal variants.



The Fixed Frame Replaces The Bottom Of The Drawer

- individually adjustable
- in combination with wood or steel rear wall

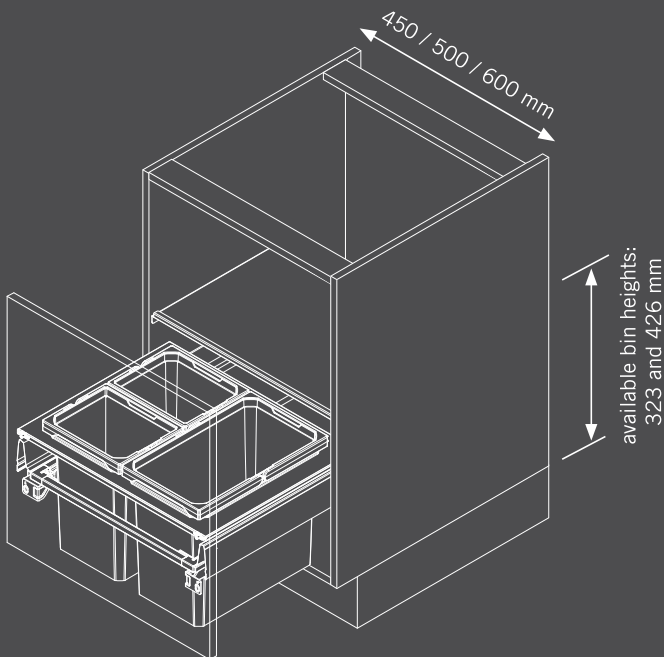


One System For All Pull-Out Systems



Retrofit Ready

Can be installed in existing cabinetry without removing the countertop.



VS ENVI® Free



Product visualisation exemplary.
Design and colour may vary.

CONSUMER BENEFITS



Clearly Arranged Waste Separation

Different bins with the option to store different kinds of waste. So you can easily separate the waste.



Various Bin Sizes

The right size for everyone.



Bins Are Made Of Food Proof Plastic

Suitable for storing pet food, for example.



Easy To Clean & Dishwasher Safe

Smooth surfaces for easy cleaning. Bins can be washed in the dishwasher at up to 70°C.



Bin Handles

For bag fastening, easy carrying and removal of the bins.



Optional Lid Variants

Standard lid closed or bio-lid with active carbon filter.

INSTALLER BENEFITS



One System For All Pull-Out Systems



Retrofit Ready

Can be installed in existing cabinetry without removing the countertop.

PRODUCT DIMENSIONS

								32 L	35 L	44 L		H 550			
			23 L					27 L	29 L			H 460			
	12.5 L				21 L	28 L	39 L					H 426			
8.5 L	10 L	12 L	7.5 L	15.5 L	16 L	22 L	29 L					H 326			
	7 L	9 L		12 L	12 L	16 L						H 256			
5.5 L	6 L	7.5 L		10 L	10 L	13 L	18 L					H 216			
	4 L											H 144			
113	382	230	191	302	183	382	230	382	340	230	340	250	340	250	442

VS ENVI® Center



Product visualisation exemplary.
Design and colour may vary.

CONSUMER BENEFITS



Comfortable Access

Containers automatically swing out when opening the door.



Clearly Arranged Waste Separation

Different bins with the option to store different kinds of waste. So you can easily separate the waste.



Automatic Opening And Closing

Lid lifts automatically when opening the door.



Odour Sealing

Lid prevents the occurrence of bad odours.



Easy To Clean & Dishwasher Safe

Simple removal of the complete system for cabinet cleaning. Smooth surfaces for easy cleaning. Bins can be washed in the dishwasher at up to 70°C.



Lid With Additional Storage Space

For storing bin liners and other small items.



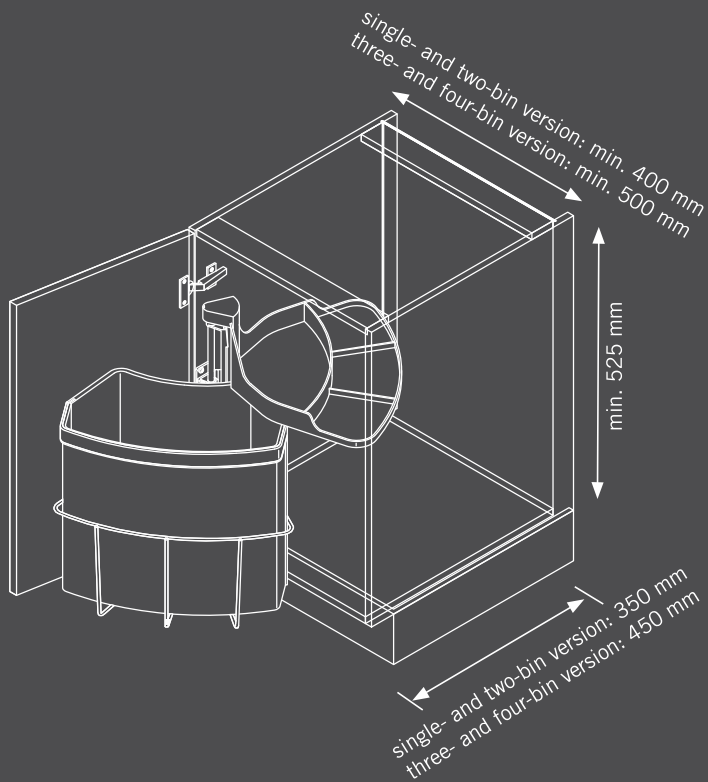
Bins Are Made Of Food Proof Plastic

Suitable for storing pet food, for example.



Bin Handles

For bag fastening, easy carrying and removal of the bins.



INSTALLER BENEFITS



Installation Template For Easy Installation

No measuring necessary.



Unhanded Installation

No need to worry about right or left handed applications, the VS ENVI® Center works both ways!



EasyFit

Toolless removal and installation after initial assembly.



Retrofit Ready

Can be installed in existing cabinetry without removing the countertop.

VS ENVI® Single

VAUTH
SAGEL



Product visualisation exemplary.
Design and colour may vary.

CONSUMER BENEFITS



Comfortable Access

Containers automatically swing out when opening the door.



Bins Are Made Of Food Proof Plastic

Suitable for storing pet food, for example.



Easy To Clean & Dishwasher Safe

Simple removal of the complete system for cabinet cleaning. Smooth surfaces for easy cleaning. Bins can be washed in the dish-washer at up to 70°C.



Automatic Opening And Closing

Lid lifts automatically when opening the door.



Lid With Additional Storage Space

For storing bin liners and other small items.



Versatile For Kitchen And Bathroom Use

Adaptable for the kitchen or bathroom.



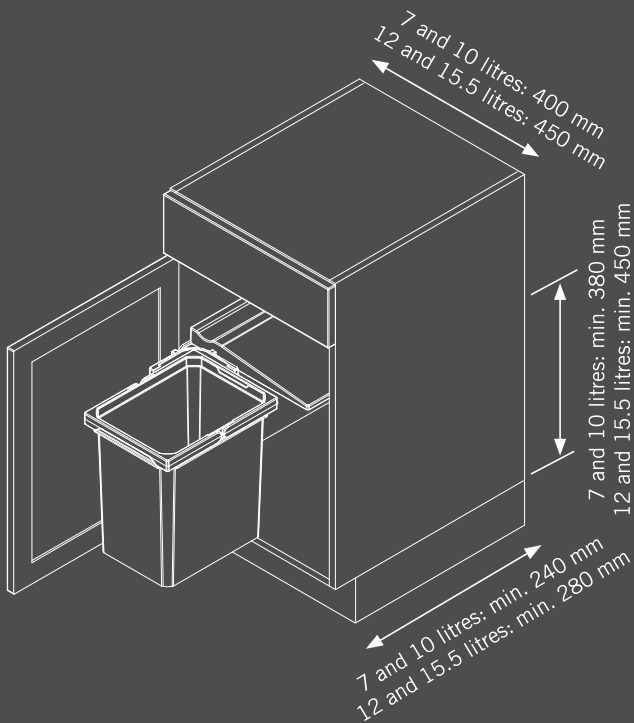
Odour Sealing

Lid prevents the occurrence of bad odours.



Bin Handles

For bag fastening, easy carrying and removal of the bins.



INSTALLER BENEFITS



Installation Template

No measuring necessary.



Unhanded Installation

No need to worry about right or left handed applications, the VS ENVI® Single works both ways!



Effortless installation



Retrofit Ready

Can be installed in existing cabinetry without removing the countertop.

VS
COR

**VS COR[®] -
CORNER CABINETS**

CORNERSTONE® MAXX



Product visualisation exemplary.
Design and colour may vary.



CONSUMER BENEFITS



PAM: Power Assisted Movement

Dual-direction power mechanism, makes accessing and returning trays super easy.



L-Movement

This unique movement of the trays allows easy access to neighbouring cabinets.



Independent Movement Of Shelves

The top tray moves independently of the bottom tray, which allows easy access to either.



Weight Capacity Of 25kg Per Tray

Enables the storage of large stacks of plates or heavy pots and pans.



Height Adjustable Trays

Each tray is easily adjusted up or down, allowing you to custom build your own CORNERSTONE® MAXX to your tastes and needs.



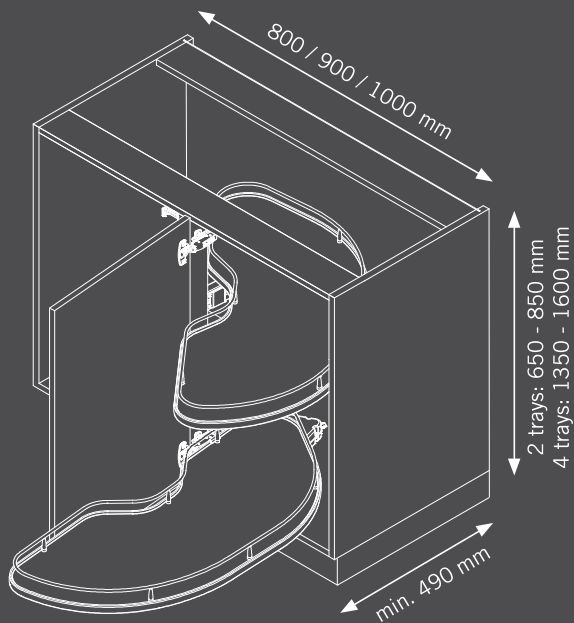
Integrated Soft And Self-Closing

Damping mechanism provides a soft-close action of the unit.



Floating Design

Making your kitchen a true eyecatcher for get-togethers with your family & friends.



INSTALLER BENEFITS



Installation Template Included For Easy Installation

Measure your opening – then line up with the arrow on the installation template. Excellent results in minutes.



Three Simple Installation Steps

For fast and easy installation.



EasyFit

Tool-free installation of the trays on the support arms.



Fewer Parts – Less Warehousing

The system consists of just three parts. The fitting is unhanded.



Retrofit Ready

Can be installed in existing cabinetry without removing the countertop.

CORNERSTONE® Swing



Product visualisation exemplary.
Design and colour may vary.

CONSUMER BENEFITS



Independant Movement Of Shelves

For more convenient and better access to the lower tray.



Door-Mounted Lower Tray

The lower tray is attached to the door and follows when the door is opened - both trays close as the door closes.



L-Movement

This unique movement of the trays allows easy access to neighbouring cabinets.



Integrated Soft And Self-Closing

Damping mechanism provides a soft-close action of the unit.

INSTALLER BENEFITS



Installation Template Included For Easy Installation

Measure your opening – then line up with the arrow on the installation template. Excellent results in minutes.



Unhanded Installation

No need to worry about right or left handed applications, the CORNERSTONE® Swing works both ways!



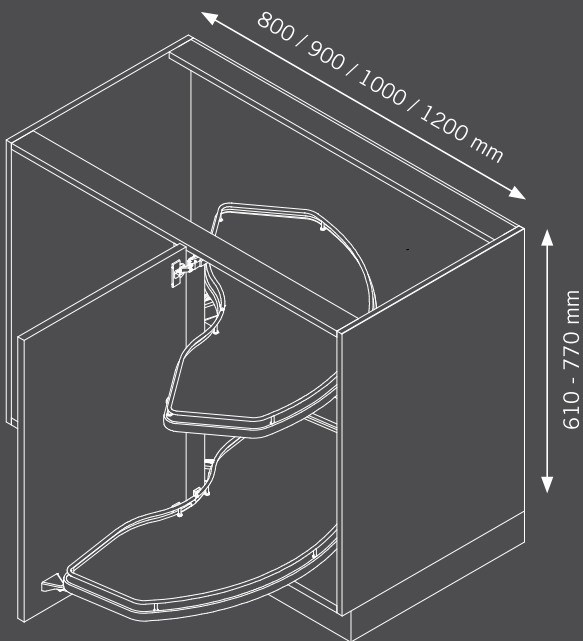
Easy Assembly

Only support pole needs to be mounted.



Retrofit Ready

Can be installed in existing cabinetry without removing the countertop.



DOOR WIDTHS: 400, 450, 500 and 600 mm

VS COR® Flex



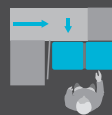
Product visualisation exemplary.
Design and colour may vary.

CONSUMER BENEFITS



Maximum Access

Unique design allows easy access to 100% of the cabinet.



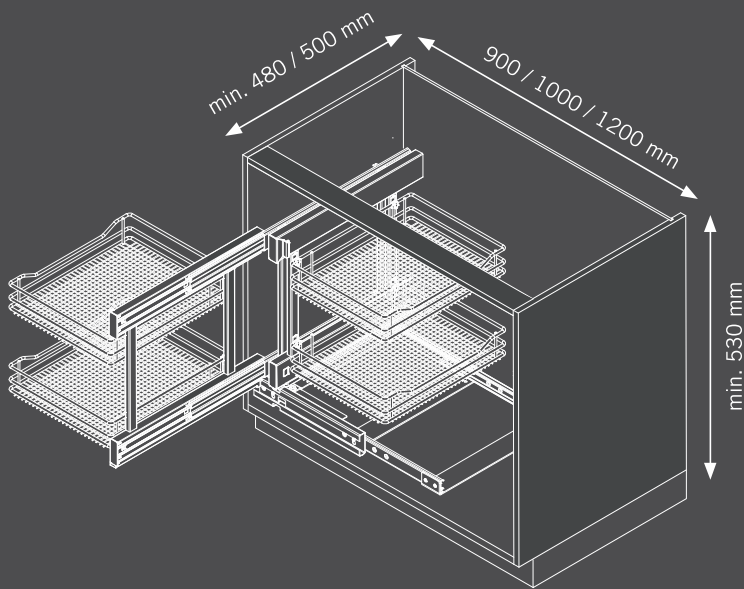
Lock-system

This frame only allows desired movement, preventing accidental closing of trays and potential damage to surrounding cabinets.



Integrated Soft And Self-Closing

Damping mechanism for smooth and silent operation - no more ratteling of pots and pans.



INSTALLER BENEFITS



Installation Template Included For Easy Installation

Measure your opening – then line up with the arrow on the installation template. Excellent results in minutes.



Unhanded Installation

No need to worry about right or left handed applications, the VS COR® Flex works both ways!



Easy Bottom Mount Installation

Just a few screws secure the frame to the cabinet, and the VS COR® Flex is ready for action!



Retrofit Ready

Can be installed in existing cabinetry without removing the countertop.

VS COR® Fold

VAUTH
SAGEL



Product visualisation exemplary.
Design and colour may vary.

CONSUMER BENEFITS



Comfortable Access

Rear baskets automatically move to the front, when opening the door.



Complete Visibility With One Pull

Open the door and every item is instantly visible.



Save Time

No need to constantly move around items to find the one you need – everything is stored in an easy access format.



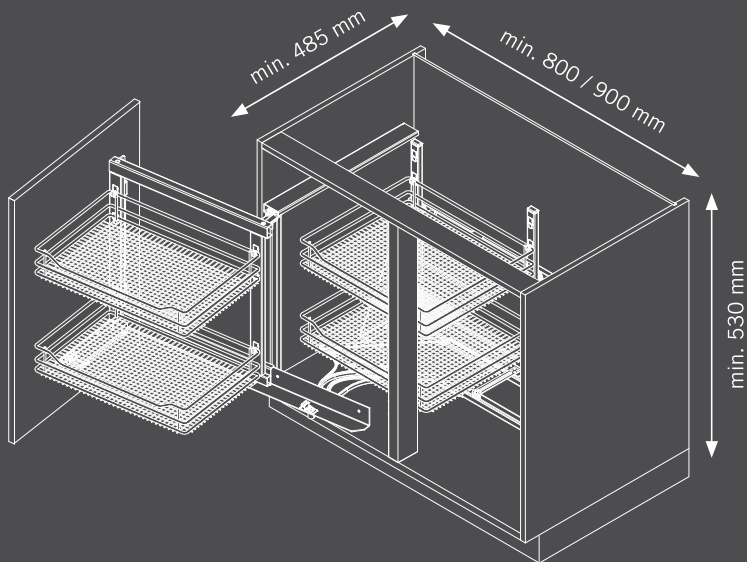
Height Adjustable Trays

Each tray is easily adjusted up or down, allowing you to custom build your own VS COR® Fold to your tastes and needs.



Integrated Soft And Self-Closing

Damping mechanism for smooth and silent closing.



DOOR WIDTHS: min. 400 mm and 450 mm

INSTALLER BENEFITS



EasyFit

Toolless assembly of the front to the pull-out.



Easy Installation

Fixation of the pivot point without measuring, simply clip into the mounted frame.



Retrofit Ready

Can be installed in existing cabinetry without removing the countertop.



Opening Angle Limiter

VS COR® Fold G



Product visualisation exemplary.
Design and colour may vary.

CONSUMER BENEFITS



Comfortable Access

Comes with a handle to move the baskets in front of the cabinet.



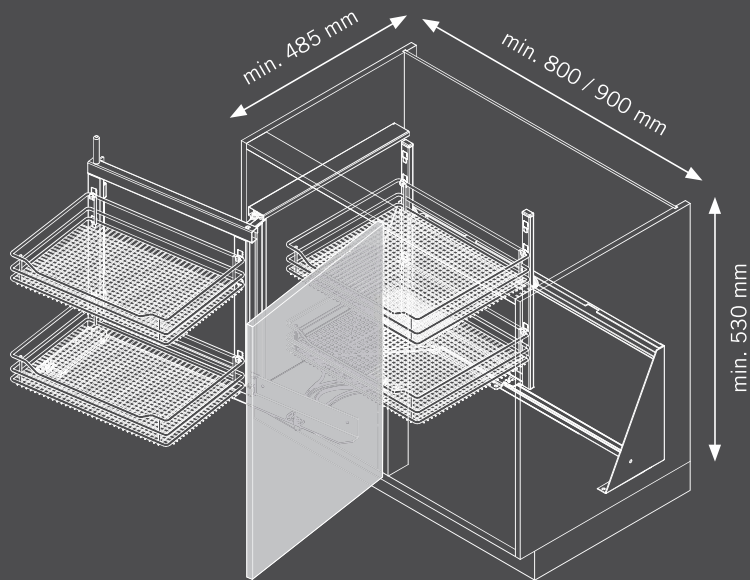
Height Adjustable Trays

Each tray is easily adjusted up or down, allowing you to custom build your own VS COR® Fold G to your tastes and needs.



Integrated Soft And Self-Closing

Damping mechanism for smooth and silent closing.



DOOR WIDTHS: min. 400 mm and 500 mm

INSTALLER BENEFITS



EasyFit

Fixation of the pivot point without measuring, simply needs to be clipped into the mounted frame.



Retrofit Ready

Can be installed in existing cabinetry without removing the countertop.



Opening Angle Limiter

VS COR® Wheel Pro



Product visualisation exemplary.
Design and colour may vary.



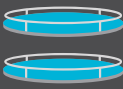
CONSUMER BENEFITS



Optimal Access
Even the items in the back can be easily reached.



No Center Pole
Unique design gives the appearance that the trays are floating in midair, while offering up to 20% more storage space.



Floating Design
With hidden support arms and no center pole, make your kitchen a true eye catcher for get-together with family and friends.



Height Adjustable Trays
Each tray is easily adjusted up or down, allowing you to custom build your own VS COR® Wheel Pro to your tastes and needs.



High Load-Capacity
Each tray holds up to 27.5 kg of storage.

INSTALLER BENEFITS



EasyFit

Tool-free installation of trays on the support arms and the support arms on the side grid.



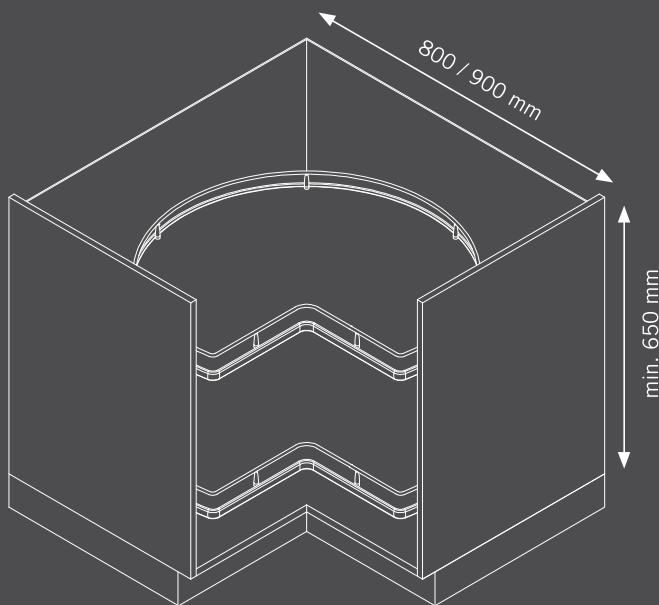
For Base And Tall Cabinets

Can be installed not only in base cabinets but also in tall cabinets.



Retrofit Ready

Can be installed into existing cabinetry without removing the countertop.



DOOR WIDTHS: min. 400 mm and 500 mm

VS COR® Spin 71

VAUTH
SAGEL



Product visualisation exemplary.
Design and colour may vary.

CONSUMER BENEFITS



Comfortable Access

Even the items in the back can be easily reached.



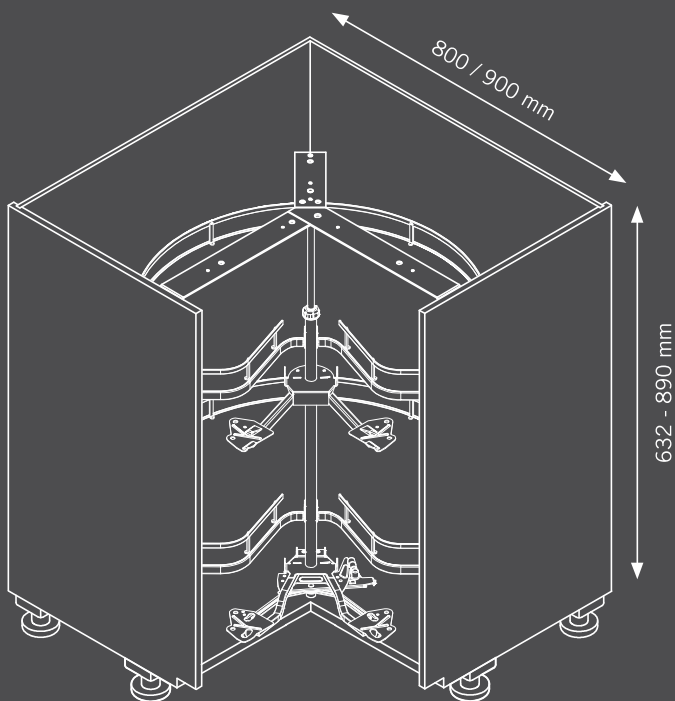
Adjustable Rotation Speed

Easily adjustable rotation speed according to your preferences.

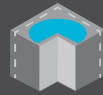


Integrated Soft And Self-Closing

Excellent movement and closing sequence with integrated, individually adjustable closing damping.



INSTALLER BENEFITS



One Fitting

Same fitting for 800 and 900 mm cabinet width.



Height Adjustable Standpipe

Adapts to different cabinet heights.



3D Front Adjustment

Perfect reveal alignment through three-dimensional front adjustment (height, sides, depth).

VS
TAL

**VS TAL[®] -
TALL CABINETS**

VS TAL[®] Larder

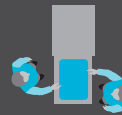


Product visualisation exemplary.
Design and colour may vary.

CONSUMER BENEFITS



PAM: Optional Power Assisted Movement
Dual-direction power mechanism, makes accessing and returning trays super easy. One finger is all it takes to move a fully loaded VS TAL[®] Larder.



Optimal Access
Full extension configuration allows for easy access to products stored in the rear as well as the front.



Complete Visibility With One Pull
Open the door and every item is instantly visible.



Save Time
No need to constantly move around items to find the one you need – everything is stored in an easy access format.



Height Adjustable Trays
Each tray is easily adjusted up or down, allowing you to custom your own VS TAL[®] Larder to your tastes and needs.



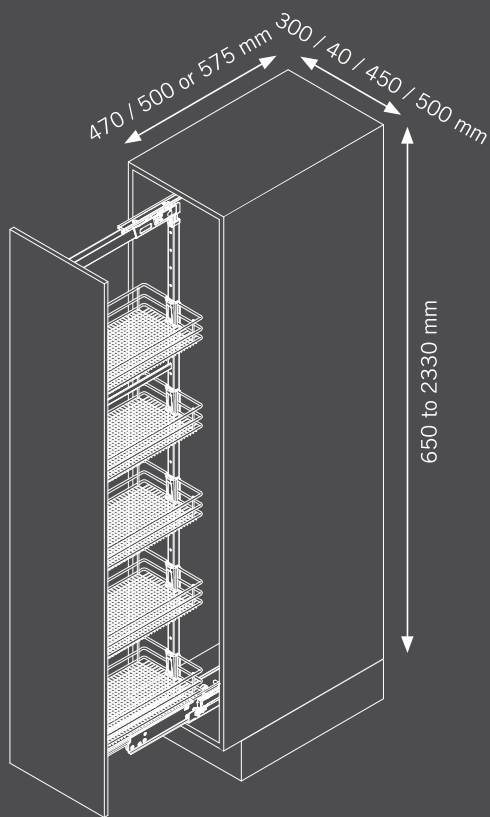
Integrated Soft And Self-Closing
Damping mechanism provides a soft-close action of the unit.



Heavy Duty Noise Restricting Roller Slides
Even when loaded to capacity, the VS TAL[®] Larder opens and closes effortlessly and quietly.



Synchronised Upper And Lower End Stops
Maintenance free, no more asynchronous rails.



INSTALLER BENEFITS



EasyFit

Self-locking system for tool-free installation of frame into upper and lower guide rails.



3D Front Adjustment

Simple, fast and trouble free adjustment, even after the unit is installed! Up, down, left, right, in and out adjustments are achieved with a simple turn of a screwdriver.



Three, Four or Five Set Tray Options

For ideal utilisation of higher and lower interior cabinet heights.



Retrofit Ready

Can be installed in existing cabinetry.

VS TAL[®] Gate



Product visualisation exemplary.
Design and colour may vary.

CONSUMER BENEFITS



Comfortable Access

Trays come automatically outside the cabinet when opening the door for easy access from two sides.



Optimal Use Of Space

Large storage capacity on a small space requirement for all your dry supplies.



Complete Visibility With One Pull

Open the door and every item is instantly visible.



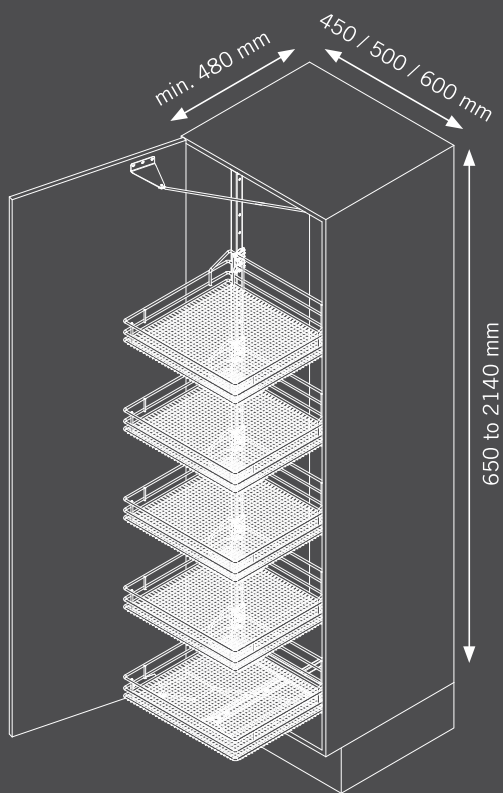
Save Time

No need to constantly move around items to find the one you need – everything is stored in an easy access format.



Height Adjustable Trays

Each tray is easily adjusted up or down, allowing you to custom build your own VS TAL[®] Gate to your tastes and needs.



INSTALLER BENEFITS



Unhanded Installation

No need to worry about right or left handed applications, the VS TAL® Gate works both ways!



EasyFit

Toolless frame assembly on the lower runner. Toolless connection between the driver and support frame.



Different Set Basket Options

For ideal utilization of higher and lower installation heights. Also available for base cabinets.



Retrofit Ready

Can be installed into existing cabinetry.

VS TAL® Gate N



Product visualisation exemplary.
Design and colour may vary.

CONSUMER BENEFITS



Comfortable Access

Bring items stored in the back of the cabinet to the front for easy access.



Maximal Access From Minimum Opening

The wide 160° opening angle allows for access from 3 sides.



Complete Visibility With One Pull

Open the door and every item is instantly visible.



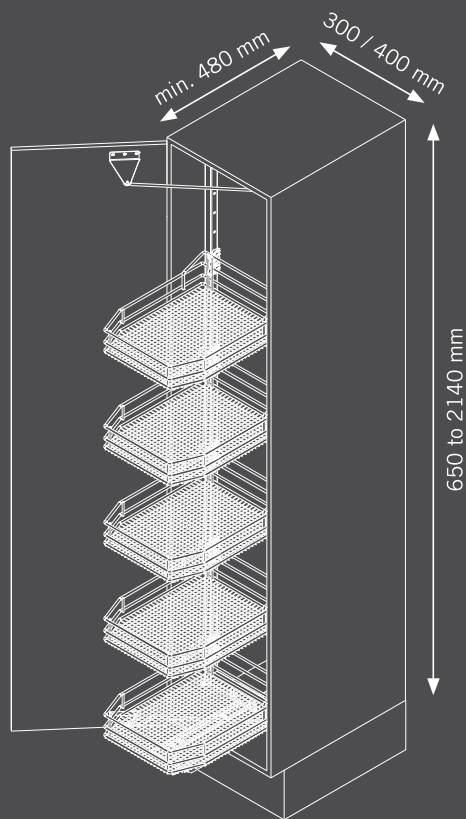
Save Time

No need to constantly move around items to find the one you need – everything is stored in an easy access format.



Height Adjustable Trays

Each tray is easily adjusted up or down, allowing you to custom build your own VS TAL® Gate N to your tastes and needs.



INSTALLER BENEFITS



Unhanded Installation

No need to worry about right or left handed applications, the VS TAL® Gate works both ways!



EasyFit

Toolless frame assembly on the lower runner. Toolless connection between the driver and support frame.



Different Set Basket Options

For ideal utilisation of higher and lower installation heights. Also available for base cabinets.



Retrofit Ready

Can be installed into existing cabinetry.

VS TAL® Gate Pro

VAUTH
SAGEL



CONSUMER BENEFITS



Comfortable Access

Brings all content to the front. So everything that is stored in the rear area can be reached comfortably and easily.



Additional door rack

Thanks to the additional sorting, the door shelves enable better interior organisation and thus provides a better overview.



Complete Visibility With One Pull

Open the door and every item is instantly visible.



Save Time

No need to constantly move around items to find the one you need – everything is stored in an easy access format.



Height Adjustable Trays

Each tray is easily adjusted up or down, allowing you to custom build your own VS TAL® Gate Pro to your tastes and needs.



Integrated Soft And Self-Closing

Damping mechanism for smooth and silent usage - no more ratteling of stored items

INSTALLER BENEFITS



EasyFit

Toolless frame assembly on the lower runner.
Toolless connection between the driver and support frame.



Unhanded Installation

No need to worry about right or left handed applications, the VS TAL® Gate Pro works both ways!



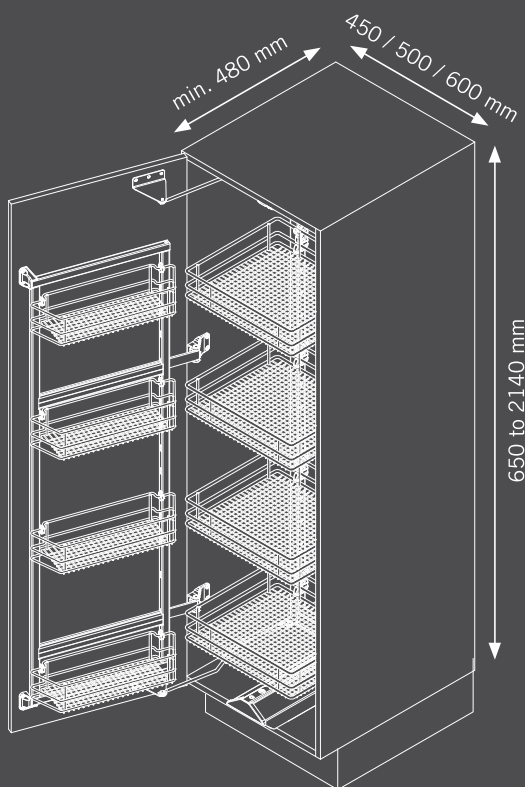
Different Set Basket Options

For ideal utilisation of higher and lower installation heights. Also available for base cabinets.



Retrofit Ready

Can be installed into existing cabinetry.

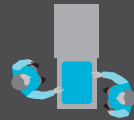


VS TAL® Rack15



Product visualisation exemplary.
Design and colour may vary.

CONSUMER BENEFITS



Comfortable Access

Bring items stored in the back of the cabinet to the front for easy access from two sides.



Optimal Use Of Space

Utilise every cm of you cabinet space by utilising narrow niches for additional, convenient storage.



Complete Visibility With One Pull

Open the door and every item is instantly visible.



Save Time

No need to constantly move around items to find the one you need – everything is stored in an easy access format.



Optimum Air Circulation

Wire trays allow the air to circulate.



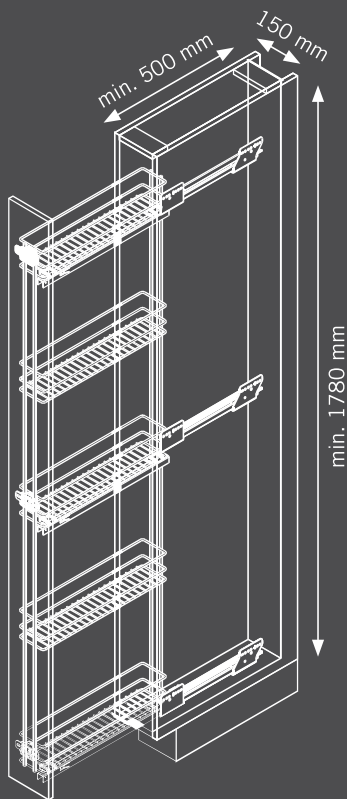
Smooth And Silent Operation

Three runners provide perfect running characteristics.



Integrated Soft And Self-Closing

Damping mechanism for smooth and silent usage - no more ratteling of stored items.



INSTALLER BENEFITS



Right Hand Installation Only

No need to worry about right or left handed applications, the VS TAL® Rack15 can only be installed on the right hand side.



EasyFit

Self-locking system for tool-free installation of frame onto guides. Easy connection of front to frame.



3D Front Adjustment

Simple, fast and trouble free adjustment, even after the unit is installed! Up, down, left, right, in and out adjustments are achieved with a simple turn of a screwdriver.

VS TAL[®] Broom

VAUTH
SAGEL



Product visualisation exemplary.
Design and colour may vary.

CONSUMER BENEFITS



Comfortable Access

Bring items stored in the back of the cabinet to the front for easy access.



Complete Visibility With One Pull

Open the door and every item is instantly visible.



Save Time

No need to constantly move around items to find the one you need – everything is stored in an easy access format.



Optimum Air Circulation

Wire trays allow the air to circulate.



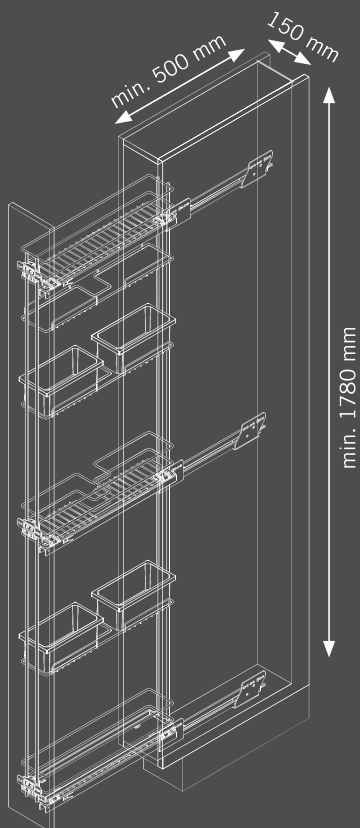
Optimal Use Of Space

Utilise every cm of your cabinet space by utilising narrow niches for additional, convenient storage.



Integrated Soft And Self-Closing

Damping mechanism for smooth and silent usage - no more ratteling of stored items.



INSTALLER BENEFITS



EasyFit

Self-locking system for tool-free installation of frame onto guides. Easy connection of front to frame.



3D Front Adjustment

Simple, fast and trouble free adjustment, even after the unit is installed! Up, down, left, right, in and out adjustments are achieved with a simple turn of a screwdriver.

VS TAL® Bottle



Product visualisation exemplary.
Design and colour may vary.

CONSUMER BENEFITS



Comfortable Access

Bring items stored in the back of the cabinet to the front for easy access.



Complete Visibility With One Pull

Open the door and every item is instantly visible.



Save Time

No need to constantly move around items to find the one you need – everything is stored in an easy access format.



Optimum Air Circulation

Wire trays allow the air to circulate.



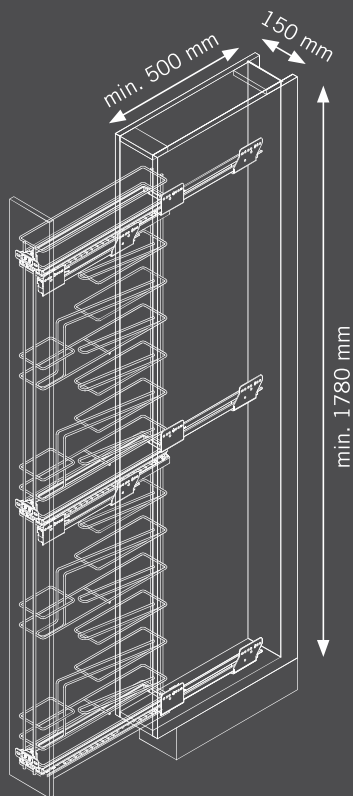
Optimal Use Of Space

Utilise every cm of your cabinet space by utilising narrow niches for additional, convenient storage.



Integrated Soft And Self-Closing

Damping mechanism for smooth and silent usage - no more rattling of stored items.



INSTALLER BENEFITS



Right Hand Installation Only

No need to worry about right or left handed applications, the VS TAL® Bottle can only be installed on the right hand side.



EasyFit

Self-locking system for tool-free installation of frame onto guides. Easy connection of front to frame.



3D Front Adjustment

Simple, fast and trouble free adjustment, even after the unit is installed! Up, down, left, right, in and out adjustments are achieved with a simple turn of a screwdriver.

VS TAL® Tray



Product visualisation example.
Design and colour may vary.

CONSUMER BENEFITS



Comfortable Access

Bring items stored in the back of the cabinet to the front for easy access.



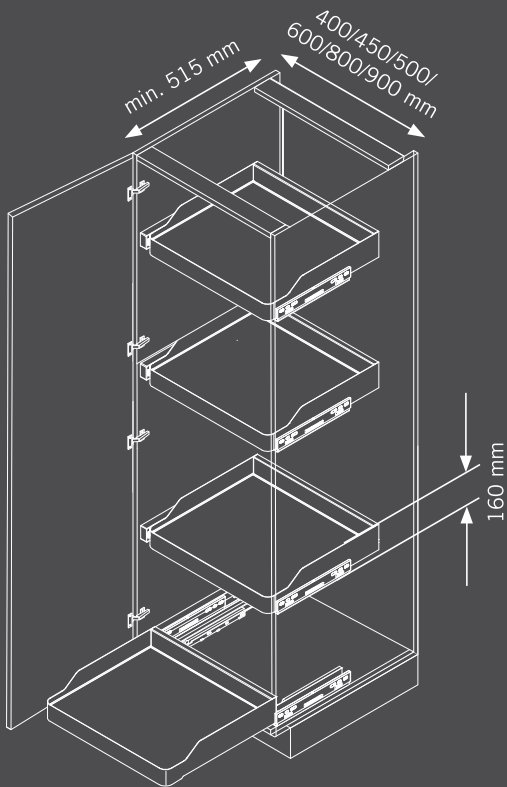
Independent Movement Of Shelves

For more convenient and better access to the lower shelf.



Integrated Soft And Self-Closing

Damping mechanism for smooth and silent usage - no more rattling of stored items.



INSTALLER BENEFITS



Tool-Free Assembly Of Pull-Outs On Runners

Toolless assembly of the trays on the runners.



Retrofit Ready

Can be installed in existing cabinetry without removing the countertop.

VS
TOP

**VS TOP® -
WALL CABINETS**

VS TOP® Hang 26/40



INSTALLER BENEFITS



Quick And Easy Adjustment

The Pozidriv PZ2 cross-head screwdriver can be used at an angle of up to +/- 15°.



For Steel Rail, Hook And Wood Railsuspension

With slip guard when suspended with hooks



Automated Installation Possible



High Stability

Suitable for very heavy loads.



Cover Caps In Two Colours (VS TOP Hang 40)

To match the inside of your cabinet.



Made Completely Of Steel

Anti-corrosion zinc coating (VS TOP Hang 40)

Visible Installation With Low Space Requirements

VS TOP® Hang 63/64



INSTALLER BENEFITS



Quick And Easy Adjustment

With the Pozidriv PZ2 cross-head screwdriver.



Suitable For Steel Rails And Wall Hook



Low Space Requirements

Only 16 mm behind the back panel.



Including Tool-free Safety Lock



Load Distribution On 3 Mounting Studs And Chipboard Screws



Automated Installation Possible