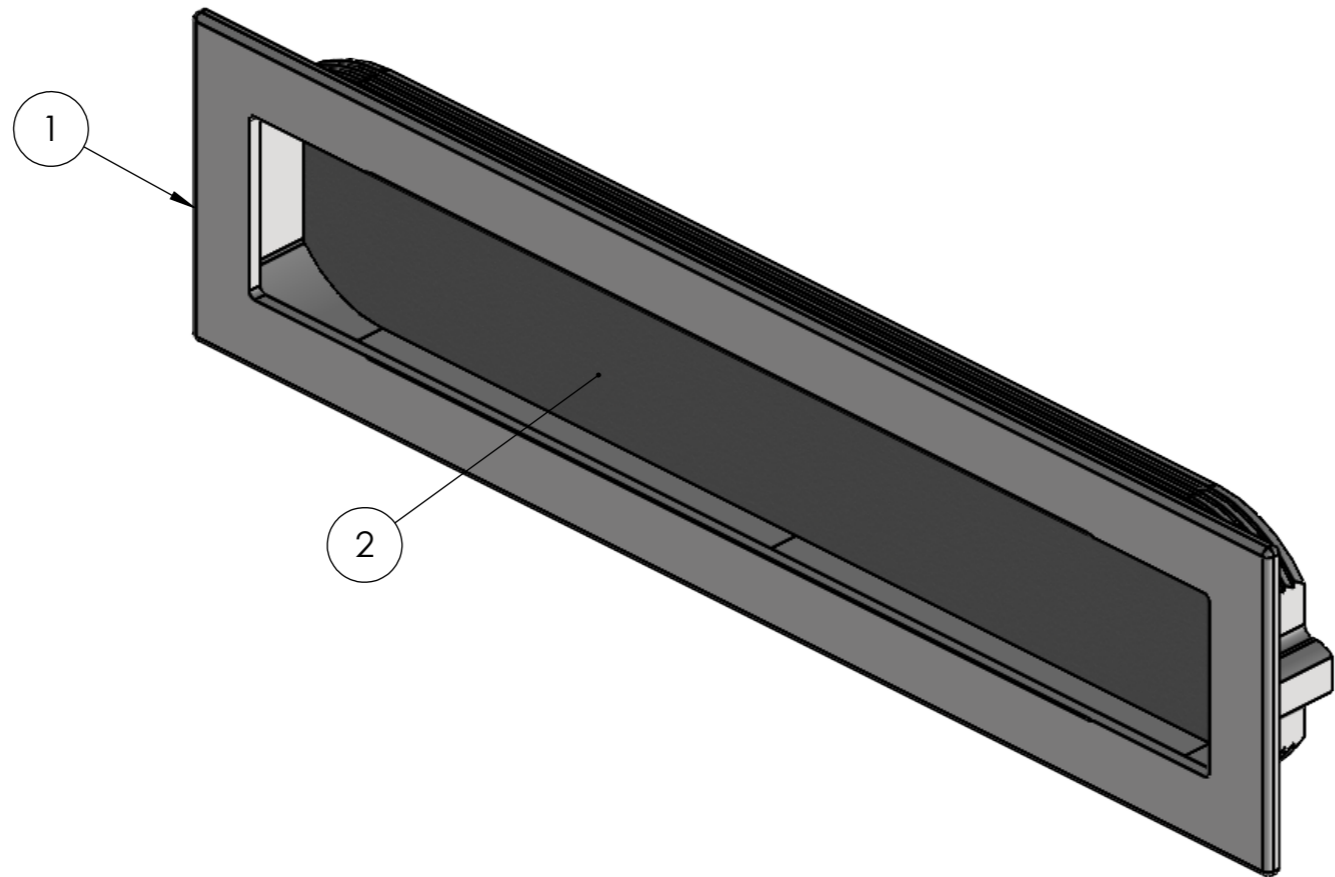


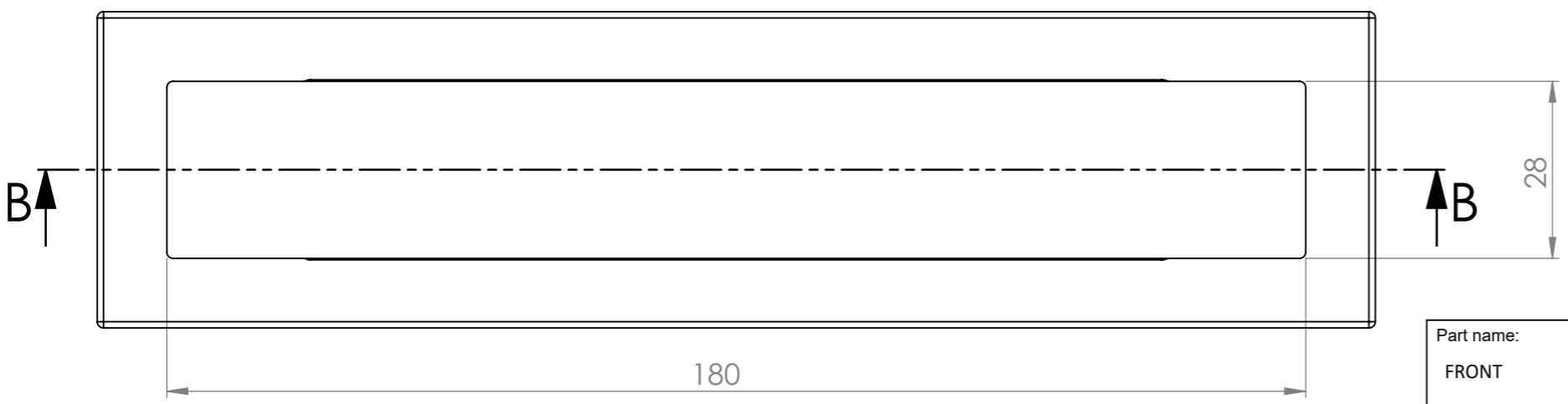
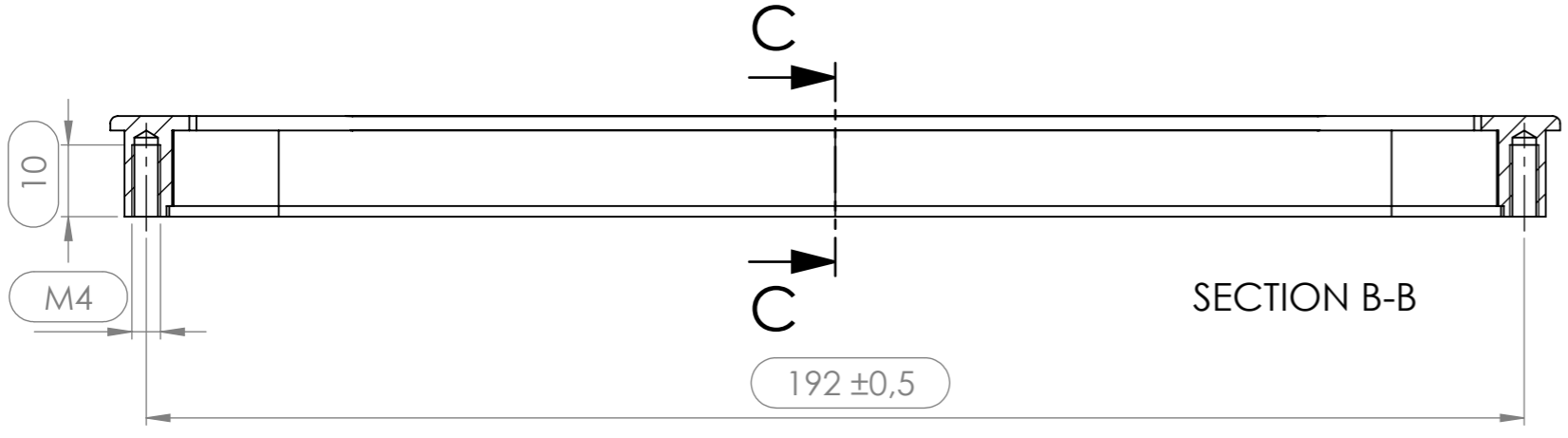
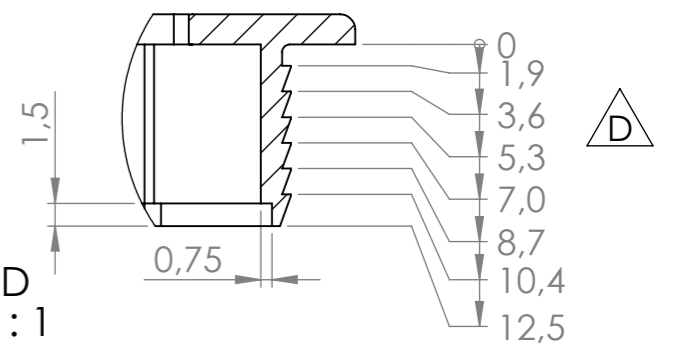
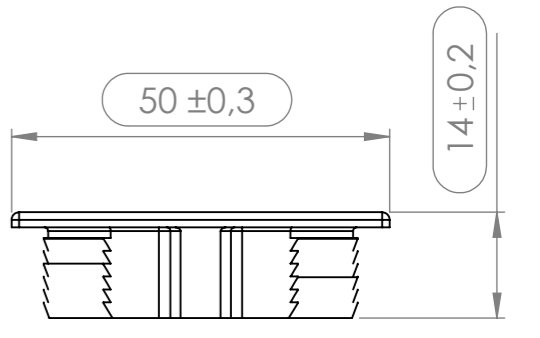
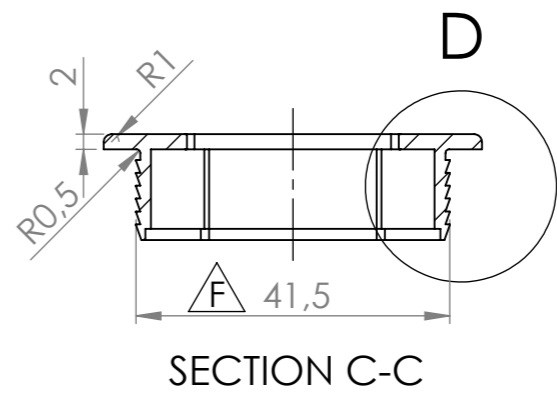
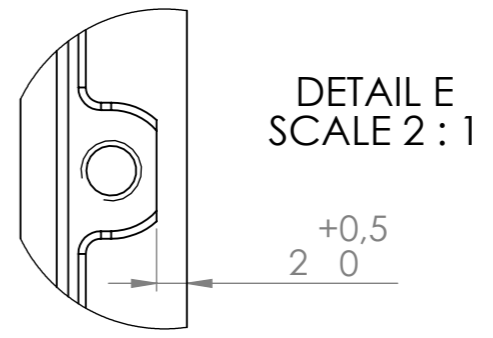
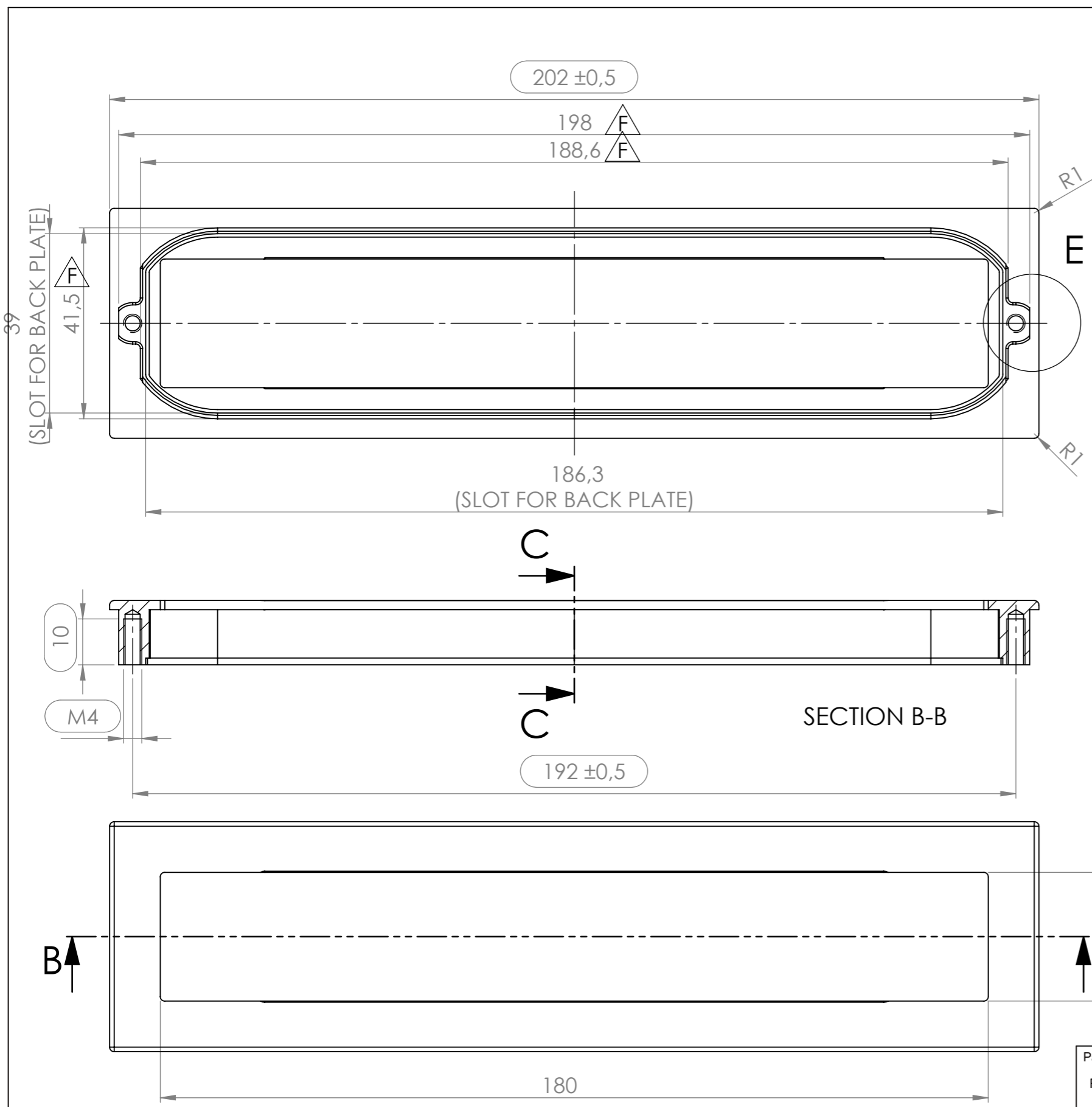
Rev.:	Date:	Name:	Description:
B	21-12-2017	IKR	Geometry change
C	06-03-2018	BSC	Geometry change
D	15-03-2018	BSC	Geometry changed
E	16-05-2018	MCH	Geometry changed
F	13-01-2020	MCH	Dimension added

Part name: <b>RECESSED HANDLE INN</b>	Projection: 	Sheet format: <b>A3</b>	Tolerance unless otherwise specified DS/ISO 2768-1M																		
Customer:	Drawn by: <b>IKR date 08-12-2017</b>	Scale: <b>1:1</b>																			
Part no.: <b>512160200</b>	Page 1 of 5	<table border="1"> <thead> <tr> <th>Linear dimensions:</th> <th>0-3</th> <th>3-6</th> <th>6-30</th> <th>30-120</th> <th>120-400</th> <th>400-1000</th> <th>1000-2000</th> <th>2000-4000</th> </tr> </thead> <tbody> <tr> <td></td> <td><math>\pm 0.1</math></td> <td><math>\pm 0.1</math></td> <td><math>\pm 0.2</math></td> <td><math>\pm 0.3</math></td> <td><math>\pm 0.5</math></td> <td><math>\pm 0.8</math></td> <td><math>\pm 1.2</math></td> <td><math>\pm 2</math></td> </tr> </tbody> </table>		Linear dimensions:	0-3	3-6	6-30	30-120	120-400	400-1000	1000-2000	2000-4000		$\pm 0.1$	$\pm 0.1$	$\pm 0.2$	$\pm 0.3$	$\pm 0.5$	$\pm 0.8$	$\pm 1.2$	$\pm 2$
Linear dimensions:	0-3	3-6	6-30	30-120	120-400	400-1000	1000-2000	2000-4000													
	$\pm 0.1$	$\pm 0.1$	$\pm 0.2$	$\pm 0.3$	$\pm 0.5$	$\pm 0.8$	$\pm 1.2$	$\pm 2$													
Material:	Weight: <b>111,51 grams</b>	<table border="1"> <thead> <tr> <th>Angle</th> <th>Radius</th> </tr> </thead> <tbody> <tr> <td><math>\pm 0.5^\circ</math></td> <td><math>\pm 0.2</math></td> </tr> </tbody> </table>		Angle	Radius	$\pm 0.5^\circ$	$\pm 0.2$														
Angle	Radius																				
$\pm 0.5^\circ$	$\pm 0.2$																				
<small>Delta 2 DK-8382 Hinnerup Phone: +45 87 64 35 00 Fax: +45 87 64 35 01</small>																					
<small>COPYRIGHT: THIS DRAWING MAY NOT BE COPIED OR REPRODUCED IN ANY WAY WITHOUT DIRECT PERMISSION FROM FURNIPART A/S</small>																					

NO.	PART	PCS.	DESCRIPTION
1	512160200 - Front	1	FRONT
2	512160200 - Back plate	1	BACK PLATE

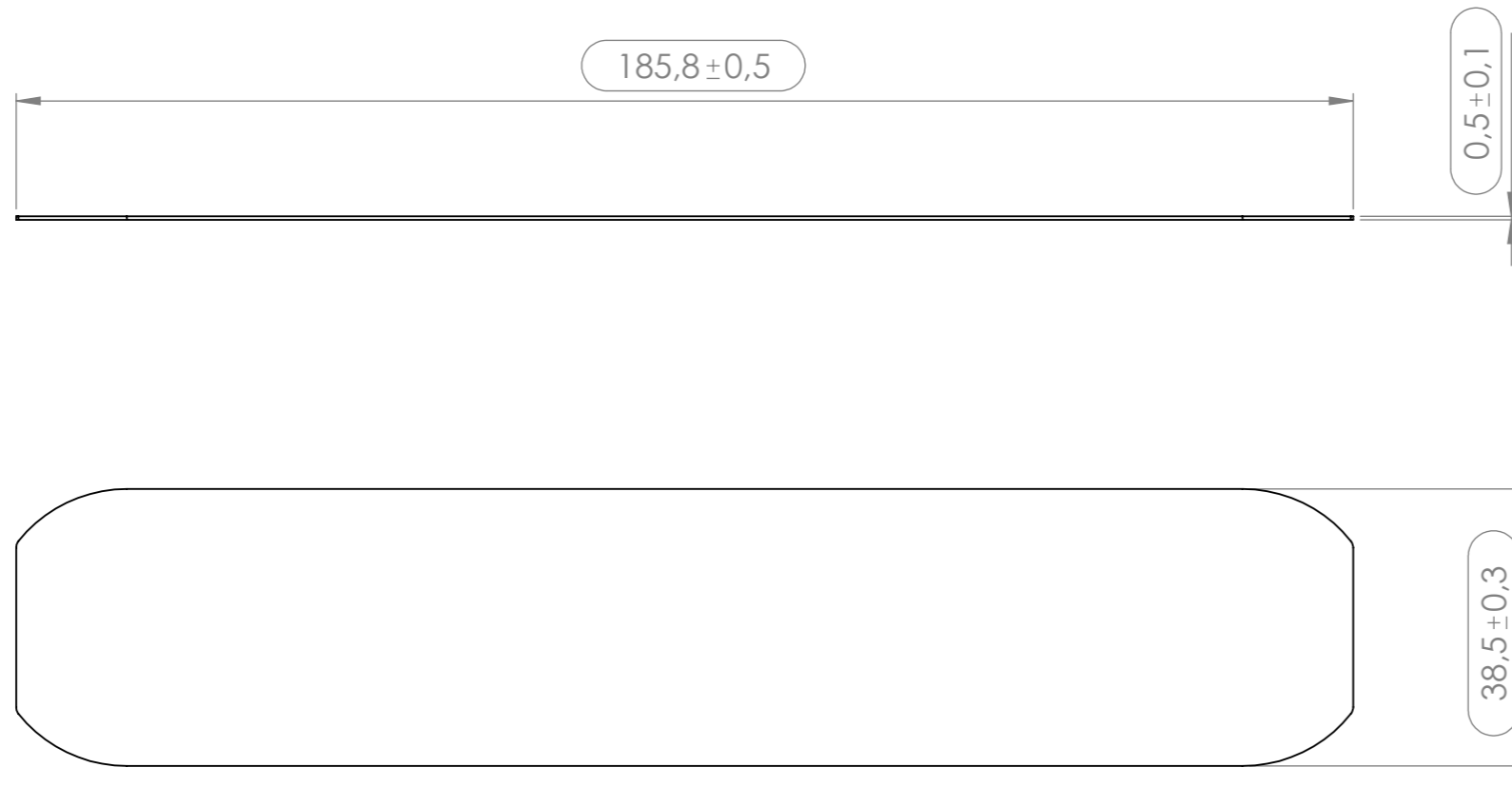


Part name: RECESSED HANDLE INN	Projection: 	Sheet format: <b>A3</b>	Tolerance unless otherwise specified DS/ISO 2768-1M																																				
Customer:	Drawn by: IKR date 08-12-2017	Scale: <b>1:1</b>																																					
Part no.: <b>512160200</b>	Material:	Weight: 111,51 grams	<table border="1"> <tr> <td>Linear dimensions:</td> <td>0-3</td> <td>3-6</td> <td>6 - 30</td> <td>30- 120</td> <td>120- 400</td> <td>400- 1000</td> <td>1000- 2000</td> <td>2000 - 4000</td> </tr> <tr> <td></td> <td>± 0.1</td> <td>± 0.1</td> <td>± 0.2</td> <td>± 0.3</td> <td>± 0.5</td> <td>± 0.8</td> <td>± 1.2</td> <td>± 2</td> </tr> <tr> <td>Angle</td> <td colspan="2">Radius</td> <td colspan="6"></td> </tr> <tr> <td>± 0.5°</td> <td colspan="2">± 0.2</td> <td colspan="6"></td> </tr> </table>	Linear dimensions:	0-3	3-6	6 - 30	30- 120	120- 400	400- 1000	1000- 2000	2000 - 4000		± 0.1	± 0.1	± 0.2	± 0.3	± 0.5	± 0.8	± 1.2	± 2	Angle	Radius								± 0.5°	± 0.2							
Linear dimensions:	0-3	3-6	6 - 30	30- 120	120- 400	400- 1000	1000- 2000	2000 - 4000																															
	± 0.1	± 0.1	± 0.2	± 0.3	± 0.5	± 0.8	± 1.2	± 2																															
Angle	Radius																																						
± 0.5°	± 0.2																																						
<table border="1"> <thead> <tr> <th>Rev.:</th> <th>Date:</th> <th>Name:</th> <th>Description:</th> </tr> </thead> <tbody> <tr> <td>B</td> <td>21-12-2017</td> <td>IKR</td> <td>Geometry change</td> </tr> <tr> <td>C</td> <td>06-03-2018</td> <td>BSC</td> <td>Geometry change</td> </tr> <tr> <td>D</td> <td>15-03-2018</td> <td>BSC</td> <td>Geometry changed</td> </tr> <tr> <td>E</td> <td>16-05-2018</td> <td>MCH</td> <td>Geometry changed</td> </tr> <tr> <td>F</td> <td>13-01-2020</td> <td>MCH</td> <td>Dimension added</td> </tr> </tbody> </table>			Rev.:	Date:	Name:	Description:	B	21-12-2017	IKR	Geometry change	C	06-03-2018	BSC	Geometry change	D	15-03-2018	BSC	Geometry changed	E	16-05-2018	MCH	Geometry changed	F	13-01-2020	MCH	Dimension added	<p>Page 2 of 5</p> <p><b>furnipart®</b></p> <p>Delta 2      Phone: +45 87 64 35 00 DK-8382 Hinnerup      Fax: +45 87 64 35 01</p>												
Rev.:	Date:	Name:	Description:																																				
B	21-12-2017	IKR	Geometry change																																				
C	06-03-2018	BSC	Geometry change																																				
D	15-03-2018	BSC	Geometry changed																																				
E	16-05-2018	MCH	Geometry changed																																				
F	13-01-2020	MCH	Dimension added																																				
COPYRIGHT: THIS DRAWING MAY NOT BE COPIED OR REPRODUCED IN ANY WAY WITHOUT DIRECT PERMISSION FROM FURNIPART A/S																																							

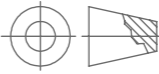



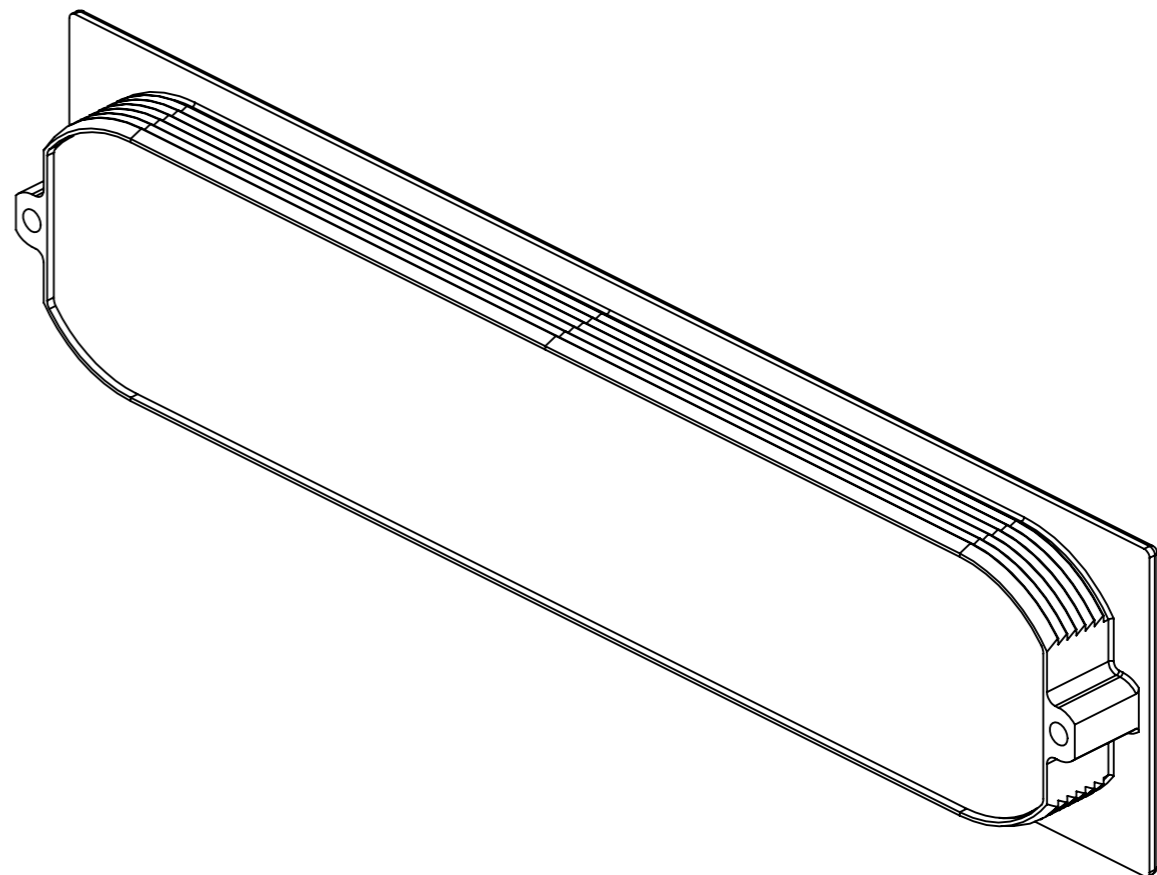
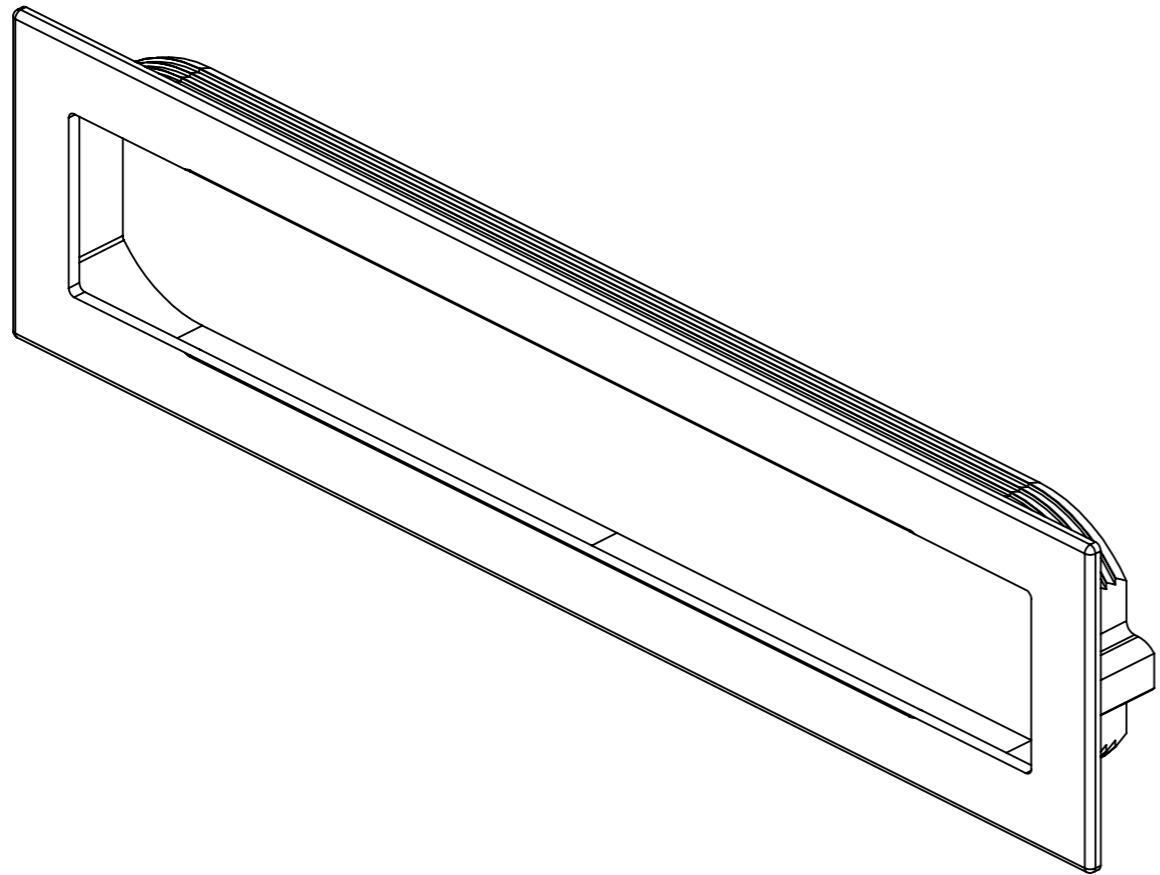
Part name: <b>FRONT</b>	Projection: 	Sheet format: <b>A3</b>	Tolerance unless otherwise specified DS/ISO 2768-1M																						
Customer:	Drawn by: <b>IKR date 08-12-2017</b>	Scale: <b>1:1</b>																							
Part no.: <b>512160200 - Front</b>	Material: <b>Zinc</b>	Page 3 of 5	<table border="1"> <tr> <th>Linear dimensions:</th> <th>0-3</th> <th>3-6</th> <th>6-30</th> <th>30-120</th> <th>120-400</th> <th>400-1000</th> <th>1000-2000</th> <th>2000-4000</th> </tr> <tr> <td></td> <td>± 0.1</td> <td>± 0.1</td> <td>± 0.2</td> <td>± 0.3</td> <td>± 0.5</td> <td>± 0.8</td> <td>± 1.2</td> <td>± 2</td> </tr> </table> <table border="1"> <tr> <th>Angle</th> <th>Radius</th> </tr> <tr> <td>± 0.5°</td> <td>± 0.2</td> </tr> </table>	Linear dimensions:	0-3	3-6	6-30	30-120	120-400	400-1000	1000-2000	2000-4000		± 0.1	± 0.1	± 0.2	± 0.3	± 0.5	± 0.8	± 1.2	± 2	Angle	Radius	± 0.5°	± 0.2
Linear dimensions:	0-3	3-6	6-30	30-120	120-400	400-1000	1000-2000	2000-4000																	
	± 0.1	± 0.1	± 0.2	± 0.3	± 0.5	± 0.8	± 1.2	± 2																	
Angle	Radius																								
± 0.5°	± 0.2																								
Weight: <b>93,42 grams</b>																									
<small>Delta 2 DK-8382 Hinnerup Phone: +45 87 64 35 00 Fax: +45 87 64 35 01</small>																									
<small>COPYRIGHT: THIS DRAWING MAY NOT BE COPIED OR REPRODUCED IN ANY WAY WITHOUT DIRECT PERMISSION FROM FURNIPART A/S</small>																									

Rev.:	Date:	Name:	Description:
B	21-12-2017	IKR	Geometry change
C	06-03-2018	BSC	Geometry change
D	15-03-2018	BSC	Geometry changed
E	16-05-2018	MCH	Geometry changed
F	13-01-2020	MCH	Dimension added



Rev.:	Date:	Name:	Description:
B	21-12-2017	IKR	Geometry change
C	06-03-2018	BSC	Geometry change
D	15-03-2018	BSC	Geometry changed
E	16-05-2018	MCH	Geometry changed
F	13-01-2020	MCH	Dimension added

Part name: <b>BACK PLATE</b>	Projection: 	Sheet format: <b>A3</b>	Tolerance unless otherwise specified DS/ISO 2768-1M																						
Customer:	Drawn by: <b>IKR date 08-12-2017</b>	Scale: <b>1:1</b>																							
Part no.: <b>512160200 - Back plate</b>	Material: <b>Gray Cast Iron</b>	Weight: <b>18,09 grams</b>	<table border="1"> <thead> <tr> <th>Linear dimensions:</th> <th>0-3</th> <th>3-6</th> <th>6 - 30</th> <th>30- 120</th> <th>120- 400</th> <th>400- 1000</th> <th>1000- 2000</th> <th>2000- 4000</th> </tr> </thead> <tbody> <tr> <td></td> <td>± 0.1</td> <td>± 0.1</td> <td>± 0.2</td> <td>± 0.3</td> <td>± 0.5</td> <td>± 0.8</td> <td>± 1.2</td> <td>± 2</td> </tr> </tbody> </table> <table border="1"> <thead> <tr> <th>Angle</th> <th>Radius</th> </tr> </thead> <tbody> <tr> <td>± 0.5°</td> <td>± 0.2</td> </tr> </tbody> </table>	Linear dimensions:	0-3	3-6	6 - 30	30- 120	120- 400	400- 1000	1000- 2000	2000- 4000		± 0.1	± 0.1	± 0.2	± 0.3	± 0.5	± 0.8	± 1.2	± 2	Angle	Radius	± 0.5°	± 0.2
Linear dimensions:	0-3	3-6	6 - 30	30- 120	120- 400	400- 1000	1000- 2000	2000- 4000																	
	± 0.1	± 0.1	± 0.2	± 0.3	± 0.5	± 0.8	± 1.2	± 2																	
Angle	Radius																								
± 0.5°	± 0.2																								
Page 4 of 5 			Delta 2 DK-8382 Hinnerup Phone: +45 87 64 35 00 Fax: +45 87 64 35 01																						
COPYRIGHT: THIS DRAWING MAY NOT BE COPIED OR REPRODUCED IN ANY WAY WITHOUT DIRECT PERMISSION FROM FURNIPART A/S																									



Rev.:	Date:	Name:	Description:
B	21-12-2017	IKR	Geometry change
C	06-03-2018	BSC	Geometry change
D	15-03-2018	BSC	Geometry changed
E	16-05-2018	MCH	Geometry changed
F	13-01-2020	MCH	Dimension added

Part name: RECESSED HANDLE INN	Projection: 	Sheet format: <b>A3</b>	Tolerance unless otherwise specified DS/ISO 2768-1M																						
Customer:	Drawn by: IKR date 08-12-2017	Scale: <b>1:1</b>																							
Part no.: <b>512160200</b>	Material:	Weight: 111,51 grams	<table border="1"> <thead> <tr> <th>Linear dimensions:</th> <th>0-3</th> <th>3-6</th> <th>6 - 30</th> <th>30- 120</th> <th>120- 400</th> <th>400- 1000</th> <th>1000- 2000</th> <th>2000 - 4000</th> </tr> </thead> <tbody> <tr> <td></td> <td>± 0.1</td> <td>± 0.1</td> <td>± 0.2</td> <td>± 0.3</td> <td>± 0.5</td> <td>± 0.8</td> <td>± 1.2</td> <td>± 2</td> </tr> </tbody> </table> <table border="1"> <thead> <tr> <th>Angle</th> <th>Radius</th> </tr> </thead> <tbody> <tr> <td>± 0.5°</td> <td>± 0.2</td> </tr> </tbody> </table>	Linear dimensions:	0-3	3-6	6 - 30	30- 120	120- 400	400- 1000	1000- 2000	2000 - 4000		± 0.1	± 0.1	± 0.2	± 0.3	± 0.5	± 0.8	± 1.2	± 2	Angle	Radius	± 0.5°	± 0.2
Linear dimensions:	0-3	3-6	6 - 30	30- 120	120- 400	400- 1000	1000- 2000	2000 - 4000																	
	± 0.1	± 0.1	± 0.2	± 0.3	± 0.5	± 0.8	± 1.2	± 2																	
Angle	Radius																								
± 0.5°	± 0.2																								
Page 5 of 5			 Delta 2 DK-8382 Hinnerup Phone: +45 87 64 35 00 Fax: +45 87 64 35 01																						
COPYRIGHT: THIS DRAWING MAY NOT BE COPIED OR REPRODUCED IN ANY WAY WITHOUT DIRECT PERMISSION FROM FURNIPART A/S																									