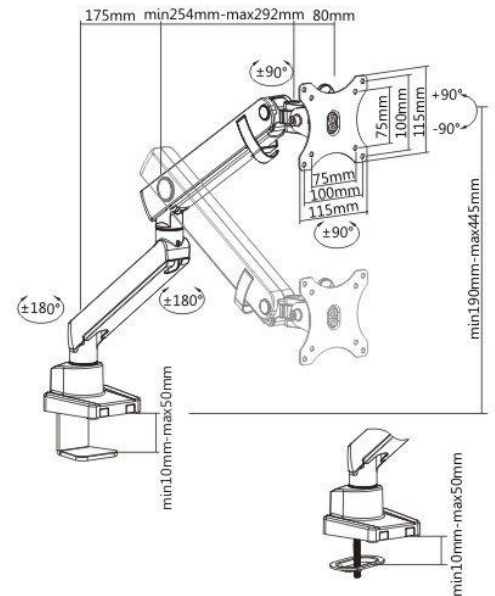


SINGLE MONITOR ALUMINUM SLIM MECHANICAL SPRING MONITOR ARM

For most 17"~32" Monitors

DESCRIPTION:

No more crawling under desks on your hands and knees! **Dynamic 300** single Monitor Aluminum Slim Mechanical Spring Monitor Arm comes with Top Fix fitting, which means this type of arm is perfect for limited space underside of the desktop. Its optimizing elbow spring gauge offers the performance and quality needed for weight adjustment. Quick-release VESA plate of exquisite structure and detachable joints make it an ideal support for longer life and easy installation.



TECHNICAL DATA:

Product Category:	Mechanical Spring Monitor Arm	Tilt Range:	+90°~-90°
Rank:	Premium	Swivel Range:	+90°~-90°
Material:	Aluminum, Plastic, Steel	Screen Rotation:	+90°~-90°
Surface Finish:	Powder Coating	Arm Full Extension:	467mm (18.4")
Color:	Matte Black	Installation:	Grommet, Clamp
Dimensions:	115x561x520mm (4.5"x22.1"x20.5")	Suggested Desktop Thickness:	Clamp : 10~50mm Grommet : 10~50mm (Clamp : 0.39"~2" Grommet : 0.39"~2")
Fit Screen Size:	17"-32"	Quick Release VESA Plate:	Yes
Fit Curved Monitor:	Yes	Cable Management:	Yes
Screen Quantity:	1	Patent:	2018209545394
Weight Capacity (per screen):	0~8kg (0lbs~17.6lbs)	Accessory Kit Package:	Normal/Ziplock Polybag, Compartment Polybag